



skydeck

usa

rooftoppatios. simply done.

skydeck usa concrete paver pedestal specification manual

Cori Eagan



SkyWalk Light and Medium Gray



skydeck usa, llc

SkyWalk™ Concrete Paver Pedestal System

by Skydeck USA

Quick Spec Page

Specifier Summary

The SkyWalk™ Concrete Paver Pedestal System is a pedestal-supported rooftop paver assembly designed to create a level, durable, high-end outdoor surface over sloped roof decks, plazas, terraces, balconies, and amenity spaces.

The system uses hydraulically pressed SkyWalk concrete pavers supported by SkyJack adjustable pedestals to create an elevated paver surface while allowing drainage below the finished deck. The pedestal assembly helps eliminate the need for traditional mortar-set installations or heavy framed support systems, while maintaining access to the roofing membrane, drains, and utilities below the surface.

Basis of Design - Short Form Specification

SkyWalk™ Concrete Paver Pedestal System by Skydeck USA, including hydraulically pressed concrete pavers, SkyJack adjustable pedestals, roof protection pads where required, shims, slope correctors, perimeter accessories, and related components required to provide a complete elevated rooftop paver assembly.

System shall provide a level, durable, removable concrete paver surface over roofing membranes, concrete decks, balconies, terraces, plazas, or other approved substrates while allowing drainage below the finished surface.

System Components

- SkyWalk hydraulically pressed concrete pavers (8,500 psi compressive strength; 1,100 psi flexural strength, 4.1% max water absorption; 50 cycle freeze/thaw resistance, wet DCOF of .80)
 - Rubber shims
 - SkyJack adjustable pedestals (2,150 lbs per pedestal weight-bearing capacity; class B fire rating)
 - Perimeter wall clips, as needed
 - Base slope correctors or self-leveling heads for slopes greater than 1/4" per foot
 - Optional roof protection pads
-

Compatible Applications

The SkyWalk™ Concrete Paver Pedestal System is compatible with rooftop amenity decks, terraces, balconies, pool decks, courtyards, plazas, outdoor dining areas, and mixed-surface layouts using concrete pavers, turf, porcelain, or deck tiles.

Design Note

Project-specific structural requirements, wind conditions, perimeter restraint, roof membrane compatibility, roof drain access, threshold conditions, and code compliance shall be reviewed and approved by the project design professional. Skydeck USA layout support and product recommendations are provided for coordination and estimating assistance and do not replace project-specific design or engineering requirements.

SkyWalk™ Concrete Paver Pedestal System

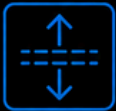
by Skydeck USA

KEY ADVANTAGES



NO ROOF PENETRATIONS

Protects roofing and waterproofing membranes



ADJUSTABLE HEIGHT VERSATILITY

Creates a level finished surface over sloped substrates



FAST, INTUITIVE INSTALLATION

Dry-set system for efficient installation and easy layout adjustments



SUPERIOR DRAINAGE

Open-joint surface allows water to drain below the pavers



SERVICEABLE & ACCESSIBLE

Pavers can be lifted to access drains, valves, and utilities below



CLEAN, ELEVATED AESTHETICS

Delivers a refined rooftop finish with concealed support below



DURABLE, HIGH-STRENGTH SUPPORT

Engineered pedestal system built for long-term rooftop performance



DESIGN FLEXIBILITY

Supports a wide range of layouts, heights, and rooftop applications



SkyWalk™ Concrete Paver Pedestal System

by Skydeck USA

Product Diagram

How SkyWalk™ Concrete Paver Pedestal System works from the rooftop up.

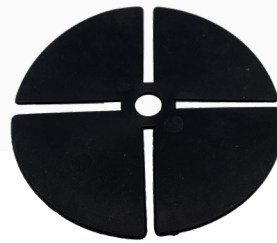
4 SKYWALK CONCRETE PAVER

High-performance, pressed concrete pavers provide a high-end architectural finish and a low-maintenance, long-lasting patio.



3 RUBBER SHIM

1/16" Rubber shims ensure flush paver corners and add sound dampening



2 SKYJACK PEDESTAL

Industry-leading adjustable pedestal simplifies installation providing a secure, elevated assembly.



1 PROTECTION PAD (OPTIONAL)

Durable protection pad placed directly on the roofing membrane to provide added membrane protection and provide sound dampening.

**Optional component*



SKYWALK™ CONCRETE PAVER PEDESTAL SYSTEM INSTALLATION STEPS



1 PREPARE THE PEDESTALS

Place pedestals at your predetermined layout locations. Pedestals must be placed with the tabs aligned to the paver joint layout.



2 ATTACH RUBBER SHIMS

Place the rubber shim on top of the pedestal. This reduces vibration and provides a stable base for the paver.



3 SET THE PAVERS

Place pavers on top of the pedestals.

INSTALLATION TIP:

Start laying the first row of pavers along the door wall and the second row perpendicular to it in a "T" shape. Leave perimeter paver cuts until the end.



4 ADJUST FOR LEVEL & SQUARE

Adjust the pedestal height to ensure the pavers are level and square. Add additional shims as needed to fine tune the height and level.



5 CUT PERIMETER PAVERS & SET

Use a wet tile saw to cut perimeter pavers as needed. Set them on top of the pedestals using a wall clip pedestal attachment as needed.

INSTALLATION TIP:

Walk the entire roof to mark any rocking pavers with a piece of tape. Then go back and make minor adjustments using shims or making pedestal height adjustments until pavers are solid under foot.

SkyWalk™ Concrete Paver Pedestal System

by Skydeck USA

Quick Spec Checklist

What the Architect Needs to Select:

- Paver size (see chart on page 9).
- Paver color(s) (see pages 7 and 8); or state that the color will be chosen from skydeck's full line of color options; see SRI values page 9 if cool roof pavers are required.
- Bond pattern (straight bond or running bond)
- Pedestal height range: Select the required SkyJack pedestal height range based on project conditions. For pedestal heights over 21.75", include the SkyHeights Pedestal Bracing System. See pedestal overview on pages 12-18 and pedestal detail pages 20-52.

Required Submittals

- Product data
- Paver samples in color(s) selected
- Layout/shop drawings showing pedestal heights and paver layout

*****For full CSI specification, use 07 76 00 beginning on page**

Basis of Design - Short Form Specification

SkyWalk™ Concrete Paver Pedestal System by Skydeck USA, including hydraulically pressed concrete pavers, SkyJack adjustable pedestals, roof protection pads where required, shims, slope correctors, perimeter accessories, and related components required to provide a complete elevated rooftop paver assembly. System shall provide a level, durable, removable concrete paver surface over roofing membranes, concrete decks, balconies, terraces, plazas, or other approved substrates while allowing drainage below the finished surface.

SkyWalk™ Concrete Paver Pedestal System

by Skydeck USA

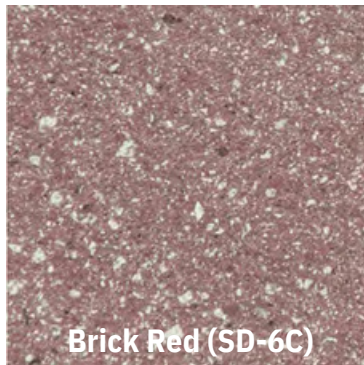
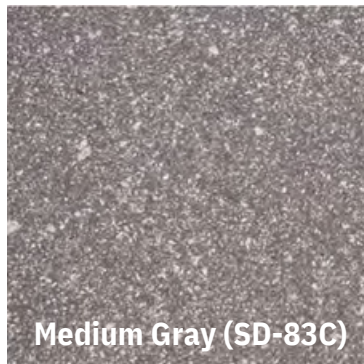
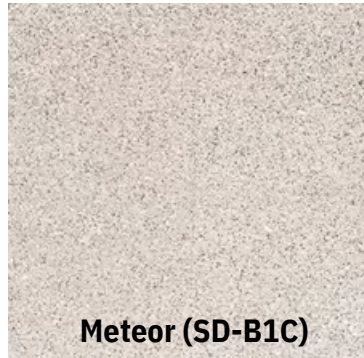
Pressed Concrete Options



Tier 1 - Standard Diamond Cut Gray



Tier 2 - Standard Color Aggregates



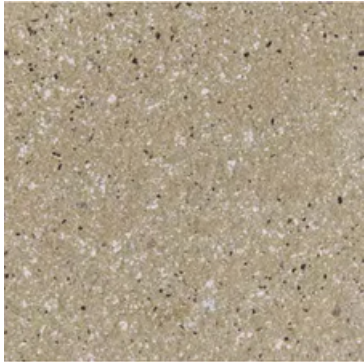
SkyWalk™ Concrete Paver Pedestal System

by Skydeck USA

Pressed Concrete Options



Tier 2 - Standard Color Aggregates Cont'd



Gold Rush (SD-60C)

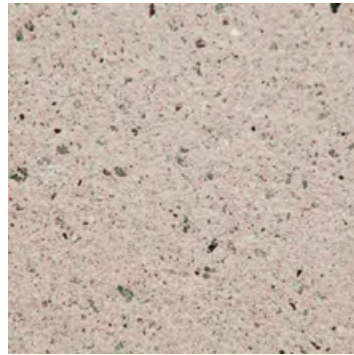


Moon Rock (SD-7114C)

Tier 3 - Premium Color Aggregates



Poolside Retreat (SD-89D)



Lakeshore (SD-91D)



Scottsdale (SD-94D)



Cloud (SD-1002D)

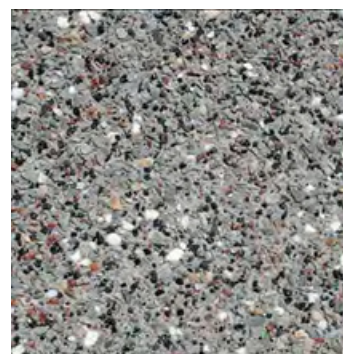
Tier 4 - Custom Color Aggregates



Arctic White (SD-11609)



Black (SD-80E)



Stoney Creek (SD-52609E)



Downtown Brown (SD-DBE)

SkyWalk™ Concrete Paver Pedestal System

by Skydeck USA

Property **Value** **Test Methods**

Pavers *Hydraulically Pressed Pavers* **ASTM C936**

Composition *Aggregates & Cement
Limestone, Water, Sand
No Chemicals or Agents* **ASTM C936**

Unit Weight *90 pounds* **ASTM C936**

Concrete Properties

Compressive Strength (minimum) *8,500 psi* **ASTM C140/C1491**

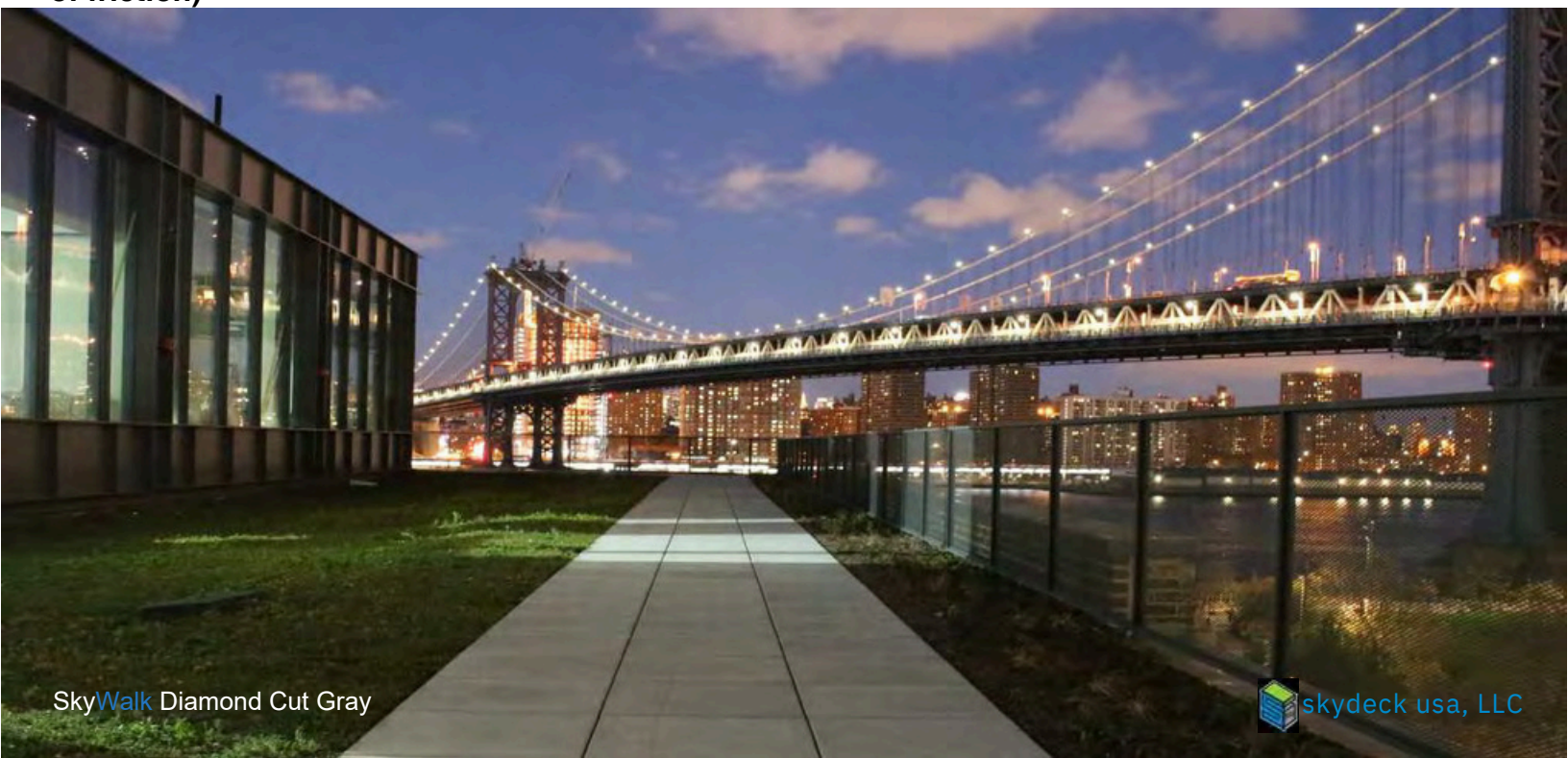
Flexural Strength (minimum) *1,100 psi* **ASTM C140**

Water Absorption (maximum) *Less than 4.1%* **ASTM C140**

Freeze/Thaw Resistance *50 Cycles* **ASTM C67**

Wet DCOF (dynamic coefficient of friction) *.80* **ANSI A137.1**

PAVER SIZE AND THICKNESS OPTIONS		
SIZE	THICKNESS	
ACTUAL SIZE	MINIMUM	MAXIMUM
11-3/4" x 11-3/4"	1-1/4"	3"
11-3/4" x 23-1/2"	1-1/4"	3"
11-3/4" x 36"	1-1/2"	3"
12" x 36"	1-1/2"	3"
14-1/2" x 14-1/2"	1-1/2"	3"
14-5/8" x 29-5/8"	1-1/2"	3"
15-3/4" x 15-3/4"	1-1/2"	3"
15-3/4" x 23-5/8"	1-1/2"	3"
17-5/8" x 17-5/8"	1-1/2"	3"
17-5/8" x 23-1/2"	1-1/2"	3"
17-5/8" x 35-3/8"	2"	3"
18" x 18"	1-1/2"	3"
23-1/2" x 23-1/2"	1-1/2"	3"
23-1/2" x 29-1/2"	2"	3"
23-1/2" x 35-3/8"	2"	3"
23-1/2" x 47-1/2"	2.5"	3.5"
23-3/4" x 23-3/4"	1-1/2"	3"
24" x 24"	1-1/2"	3"
29-1/2" x 29-1/2"	2"	3"
29-3/4" x 29-3/4"	2"	3"
35-1/2" x 35-1/2"	2-1/2"	3"
47-1/2" x 47-1/2"	2-1/2"	3.5"



SkyWalk™ Concrete Paver Pedestal System

by Skydeck USA

Concrete Paver SRI Values (Solar Reflectance)

SRI Values for SkyWalk Concrete Paver Colors

Color	SRI Value	% Solar Reflectance
Arctic White (SD-11609)	85	67.1%
Scottsdale (SD-94D)	55	46.9%
Lakeshore (SD-91D)	52	44.7%
Poolside Retreat (SD-89D)	52	47.4%
Wheat (SD-21C)	47	41.0%
Almond (SD-37C)	42	37.4%
Cloud (SD-1002D)	41	35.3%
Monument (SD-85C)	39	35.4%
Light Gray (SD-56C)	38	34.4%
Speckled Gray (SD-57C)	38	34.0%
Brick Red (SD-6C)	36	32.8%
Salmon (SD-22C)	35	32.0%
Ginger (SD-15C)	34	31.2%
Speckled Brick (SD-30C)	34	31.2%
Gold Rush (SD-60C)	34	31.2%
Meteor (SD-B1C)	31	28.7%
Diamond Cut Gray (SD-73A)	29	27.0%
Medium Gray (SD-83C)	24	23.8%
Dark Gray (SD-90C)	17	17.5%



SkyWalk™ Concrete Paver Pedestal System

by Skydeck USA

SkyWalk Paver Maintenance Guide

Routine Maintenance and Care:

A. Remove and replace pavers which are loose, chipped, broken, stained or otherwise damaged. Make sure edge restraints stay intact and are structurally sound.



B. Remove any soiling from exposed paver surfaces, wash and scrub clean.

C. Efflorescence is a naturally occurring white residue or stain that is on the surface of new concrete. The residue will dissipate naturally with time.

D. Joints and drains should be kept clean to protect from water back up.

E. Pavers may be cleaned using a pressure washer. Be sure not to place the hose nozzle too close to the paver as it can cause chipping.

F. If pavers begin to rock due to building settling, use the hand tool to re-level the pavers.

G. Pavers may be cleaned and sealed although we recommend waiting until the efflorescence has worked its way out of the paver prior to sealing.





intro to pedestals

Click [here](#) to view our pedestals introduction video.

adjustable pedestals



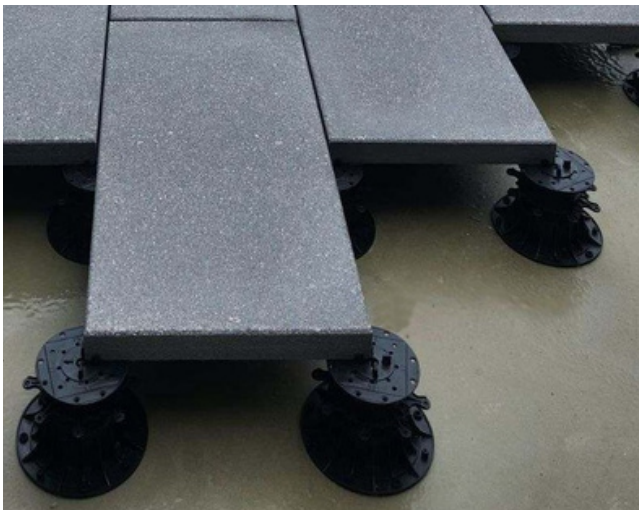
SD-XXS
3/8" - 5/8"



SD-XS
5/8" - 1-1/4"



SD-S
1-1/4" - 2"



SD-M
1.75" - 3"



SD-L
3" - 6"



SD-XL
6" - 13.75"



SD-XL + SD-XL-EXT
13.75" - 21.75"
Add more for heights up to 37.75"



fixed height pedestals

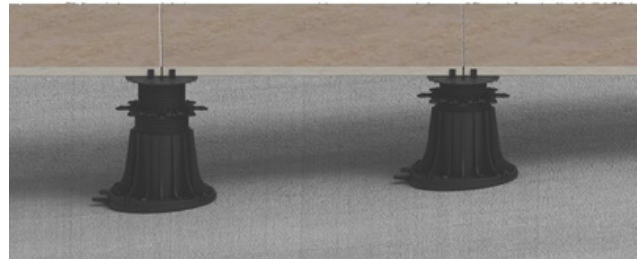


SD-TS - 1/16" Gap Spacer
For use on roofs, concrete or on grade over a prepared level base.



SD-00 - 1/4" Stackable
Stacks up to 1.25" tall, use shims for smaller height adjustments.





Self-Leveling Heads

Self-leveling heads snap on top of any adjustable pedestal.

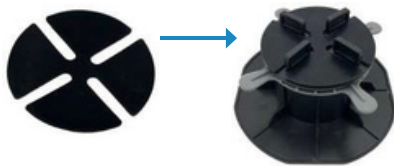
For accomodating slopes up to 5%.



Base Slope Corrector

Base slope correctors snap onto the bottom of SD-M, SD-L and SD-XL pedestals.

For accomodating slopes up to 5%.



Shims Heads

Shims provide sound dampening and ensure that the corners of each paver are flush with one another.



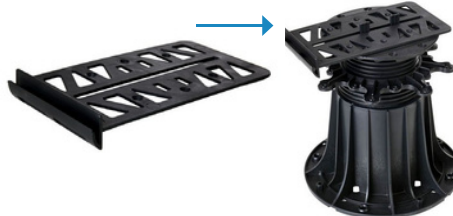
Roof Protection Pads

Protection pads dampen sound and protect the waterproofing membrane.



Joist Adapter Heads

Securely holds 2x wood, aluminum or composite joists



Wall Clips for Perimeter Pedestals

Maintain uniform spacing and stability along walls and edges.



Height Extender Sleeve

8" Extender to add height to SD-XL pedestal. Stack up to 3 extenders for pedestal heights up to 37.75".





Intended Uses:

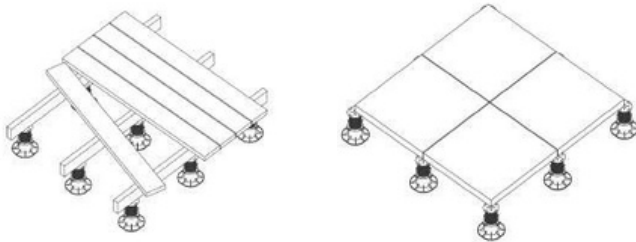
SKYJACK adjustable pedestals are used to support raised rooftop terraces to create level patios on top of roofs that slope up to 7% taking once wasted rooftop space and making it a showcase space for any building. SKYJACK adjustable pedestals can also help eliminate more expensive patio supports like steel or wood frames with a weight bearing capacity of up to 2,150 lbs. per pedestal.

Application:

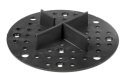
SKYJACK pedestals are uniquely designed to achieve perfectly level patios with the easy twist of our screw ring. Set up your laser level, place pavers or decking on top of the pedestals and twist until level. Simple, easy and perfect results every time.

Calculating # of Pedestals [\(click here for an automatic product calculator\)](#)

1. Calculate the total # of pavers (ie - 46 pavers)
2. Calculate the total # of pavers needed around the perimeter and divide by the width of the paver (typically 2') (ie - 26 - 2'x2' pavers, so 26/2 = 13)
3. Add the totals together (46 + 13 = 59)
4. Add 5% for waste (59 * .05 = 2.95)
5. 59 + 3 = 62 pedestals needed



**SKYJACK pedestals can be used with any of our various size or shaped materials including decking and concrete pavers.



SD-TS
1/16" Spacer



SD-00
1/4" Stackable



SD-XXS
3/8"-5/8"



SD-XS
5/8"-1-1/4"



SD-S
1-1/4"- 2"



SD-M
1.75"- 3"



SD-L
3" - 6"

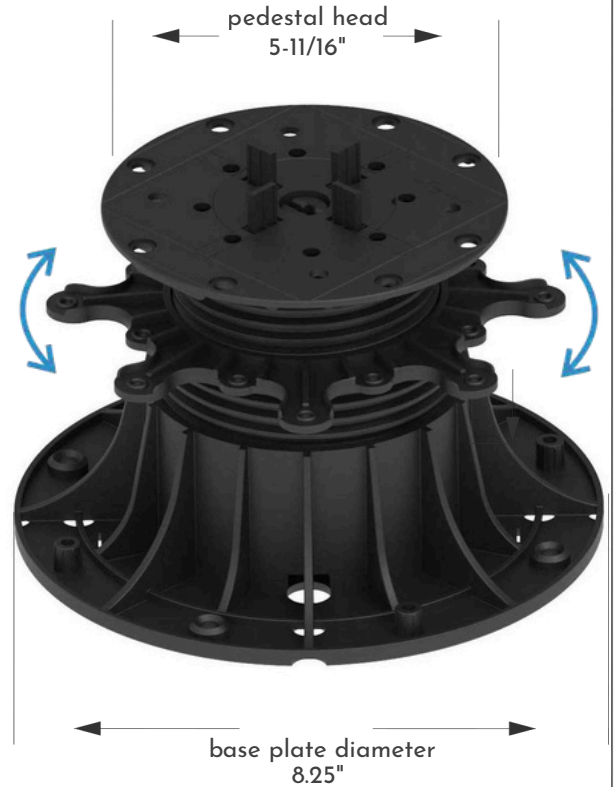


SD-XL
6" - 13.75"



SD-XL-EXT
8" Height Extender

SKYJACK adjustable pedestal system
by skydeck usa



- 1 wide, stable base
- 2 screw ring for height adjustment
- 3 head with screw
- 4 removable spacer tabs

Material: Fully Recyclable High Density Copolymer Poly Propylene (HD CPP). Made of partially recycled materials.

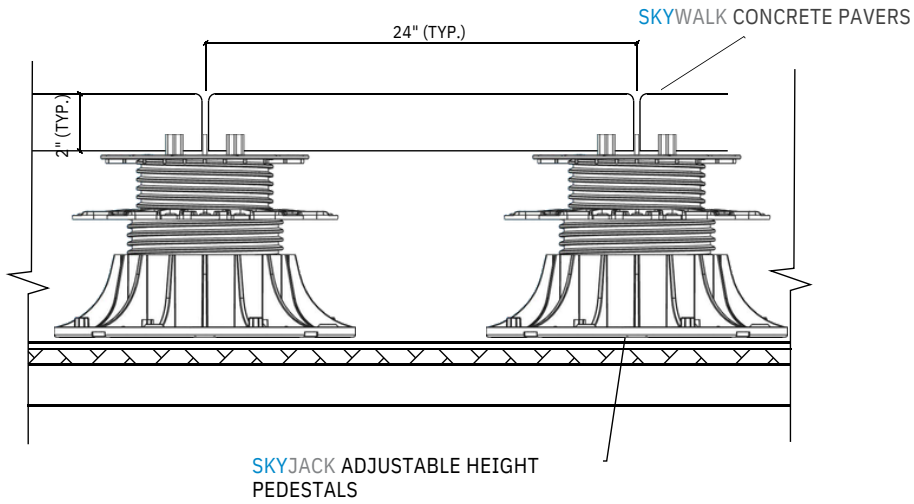


Temp. Range:
-22 to 200 degrees Fahrenheit

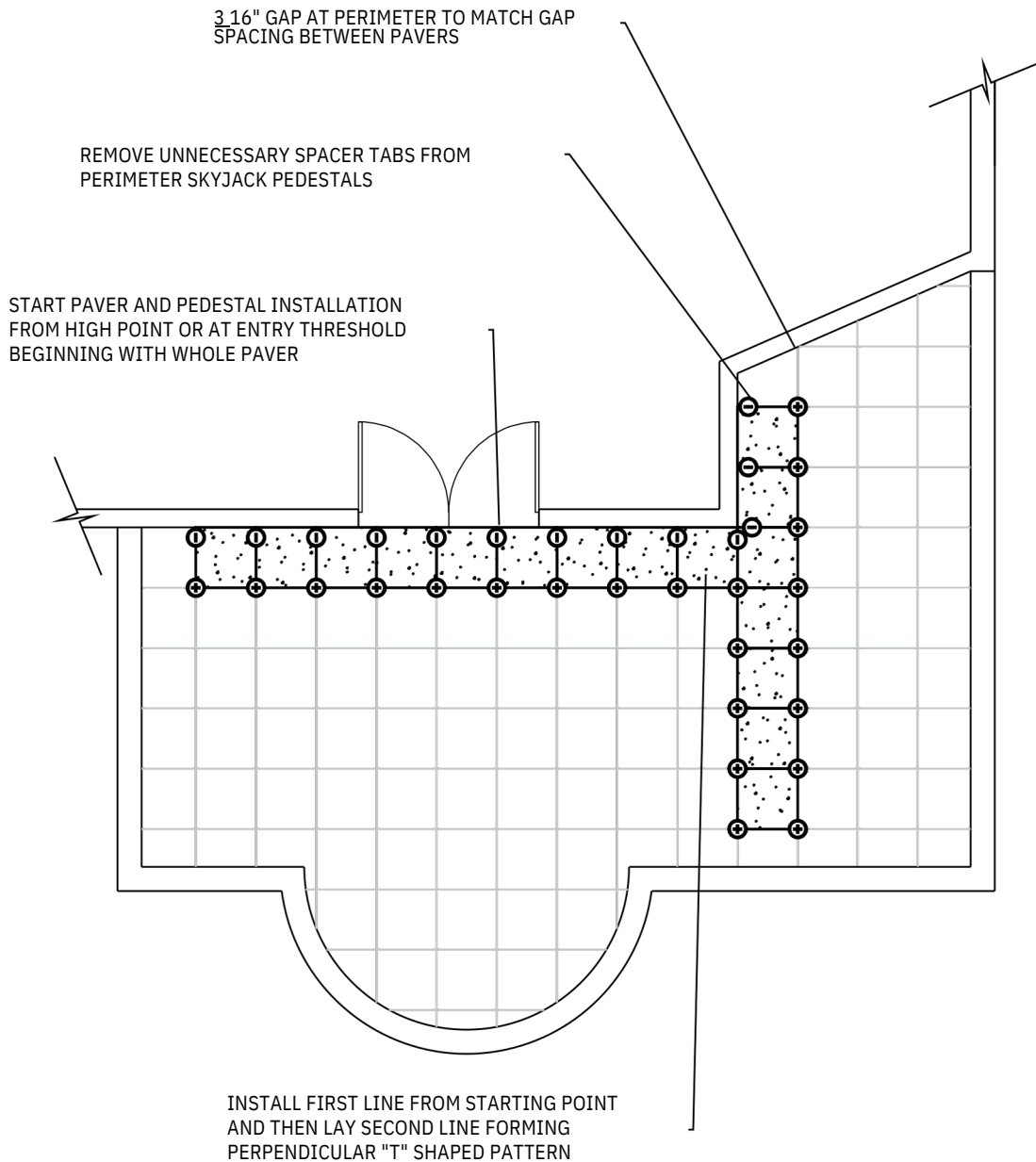
Weight Capacity:
2,150 lbs per pedestal

Atmospheric Conditions:
Resistant to UV, Aging and Decay

skywalk paver installation on pedestals



[*Click here to view our pedestal installation video](#)

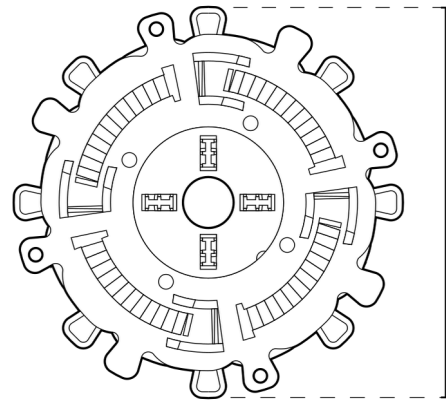




skydeck
— USA —
Rooftop Patios. Simply Done.

SkyJack Spiral Series Adjustable Pedestals

For Low Height Adjustment from .375" up to 2"

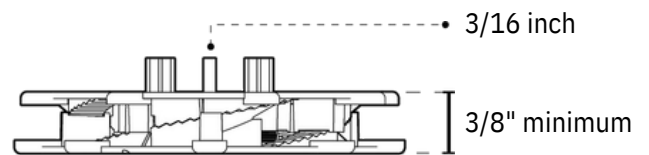


7.3 inches

Introducing the new SkyJack low height spiral adjustable pedestal series. This revolutionary pedestal line will save time and labor by allowing for low height adjustments unprecedented in the industry.

Competitor's low height products require stacking multiple shims on top of one another which is time consuming and very difficult to get perfectly level. This SkyJack Adjustable Spiral Pedestal Series removes all the difficulty by allowing for height adjustments of just 1mm with the simple rotation of the pedestal head.

The spiral series adjustable pedestals have removable, rotating gap spacer discs for use with pavers and tiles. Our spiral series pedestals are also compatible with our deck joist adapter heads making them versatile with any flooring product you choose.



3/16 inch

3/8" minimum

Product names:

SkyJack SD-XXS - 3/8" - 5/8"

SkyJack SD-XS - 5/8" - 1.25"

SkyJack SD-S - 1.25" - 2"

- Adjusts in 1 mm height increments
- Provides all benefits of adjustable pedestals





Gap spacers

Compatible with standard 3/16" gap spacers



Rotating spacer disc

Removeable, rotating spacer disc makes creating perfect tile spacing a breeze



Joist adapter

Compatible with our SD-AD deck joist adapter heads

ADJUSTS IN 1 MM HEIGHT INCREMENTS FOR MAXIMUM FLEXIBILITY



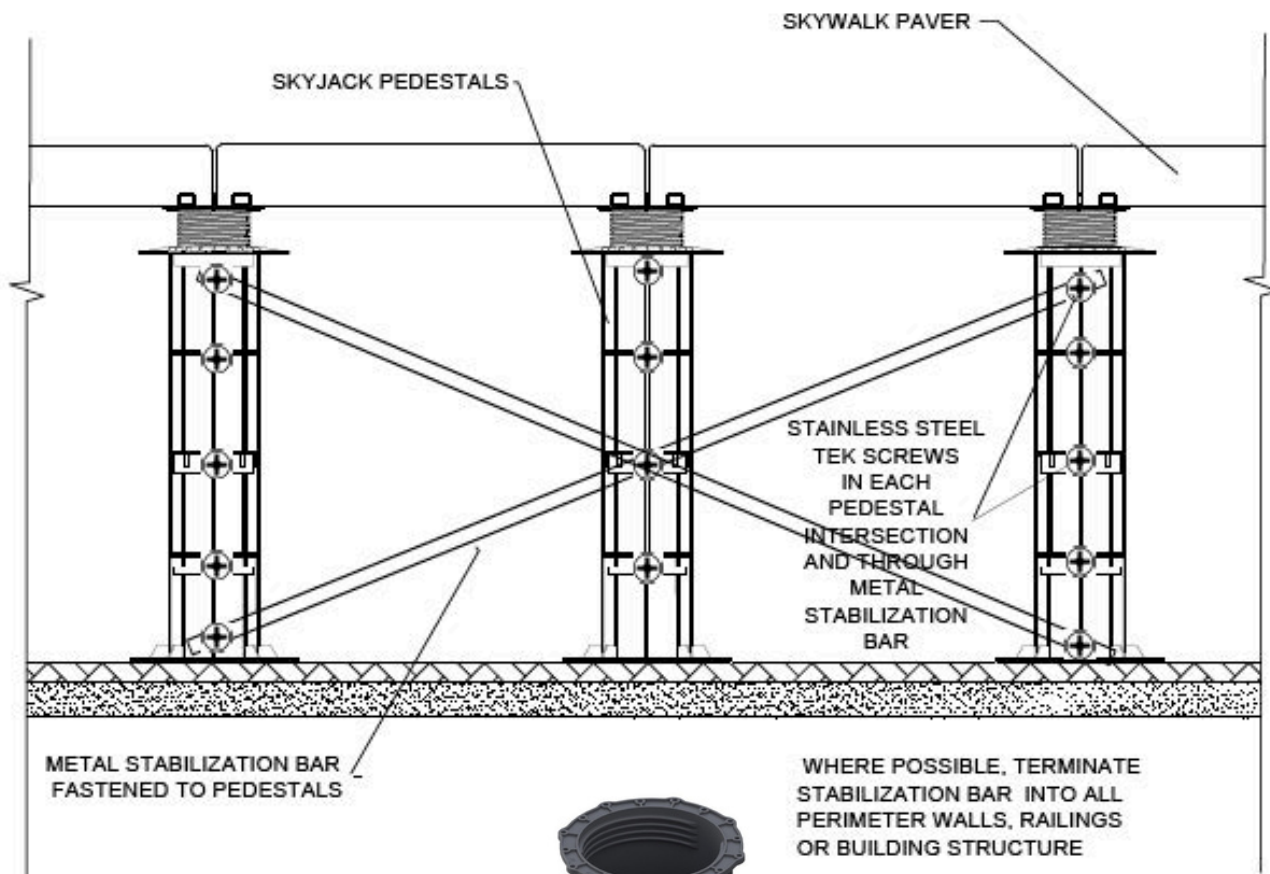
skydeck
USA
Rooftop Patios. Simply Done.



skydeck
— Usa —

SkyHeights Pedestal System

Required for pedestal heights over
21.75" and up to 37.75" tall



Extruded aluminum with mill finish
0.050" Thick X 1" Wide X 10' Long



8" Extender
Sleeve

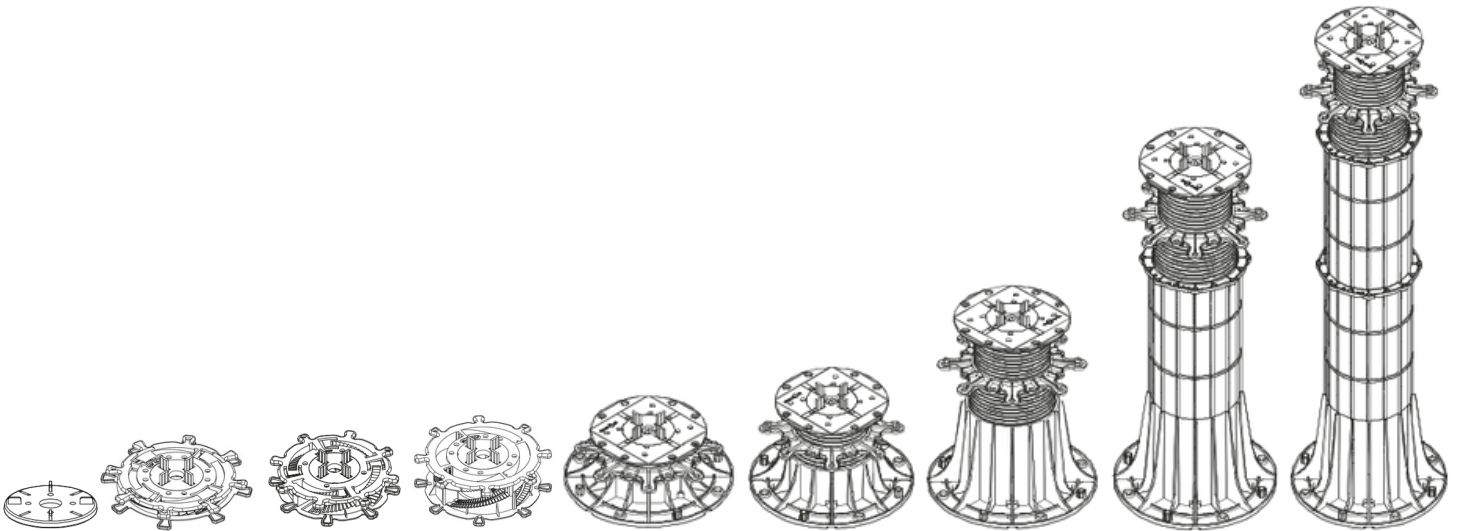


18-8 Stainless
Steel Screws



SKYJACK PEDESTALS

ADJUSTABLE PEDESTAL SYSTEM by SKYDECK USA



ADJUSTABLE HEIGHT PEDESTALS
FOR ELEVATING ALL VARIETIES AND LOCATIONS OF TERRACE DECKING

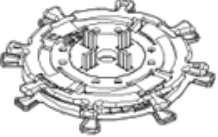
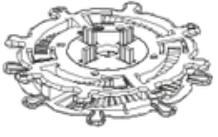
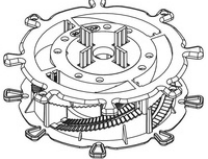

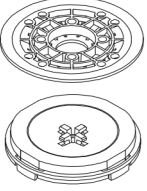


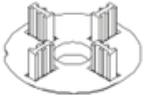
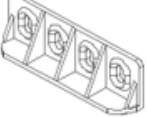



**skydeck
usa**

COMPONENTS LIST

SKYJACK PEDESTALS
Adjustable Pedestal System by SKYDECK USA

www.skydeckusa.com
info@skydeckusa.com

	<p>ADJUSTABLE PEDESTAL SD-XXS</p>	<p>ADJUSTABLE PEDESTAL SD-XXS is made up of a top piece and bottom piece that sit on top of one another. Twist 8 ergonomic handles to adjust height in 1mm increments.</p> <p>SD-XXS height adjusts from 3/8" - 5/8".</p>
	<p>ADJUSTABLE PEDESTAL SD-XS</p>	<p>ADJUSTABLE PEDESTAL SD-XS is made up of a top piece and bottom piece that sit on top of one another. Twist 8 ergonomic handles to adjust height in 1mm increments.</p> <p>SD-XS height adjusts from 5/8" to 1-1/4".</p>
	<p>ADJUSTABLE PEDESTAL SD-S</p>	<p>ADJUSTABLE PEDESTAL SD-S is made up of a top piece and bottom piece that sit on top of one another. Twist 8 ergonomic handles to adjust height in 1mm increments.</p> <p>SD-S height adjusts from 1-1/4" to 2"</p>
	<p>ADJUSTABLE PEDESTALS SD-M, SD-L, SD-XL</p>	<p>SD-M ADJUSTABLE PEDESTAL - 1.75" - 3" SD-L ADJUSTABLE PEDESTAL - 3" - 6" SD-XL ADJUSTABLE PEDESTAL - 6" - 13.75" Each pedestal comes in one assembled piece with spacer tabs in a separate bag. Height adjustments can be made by twisting the ergonomic handles, using the hand tool or using the drill bit tool.</p>
	<p>SELF LEVELING HEAD DOWN (VIEW) SD-XL-SLH SELF LEVELING HEAD UP (VIEW)</p>	<p>SELF LEVELING HEAD has upper and lower pieces. Lower piece is locked onto the top of the SCREW HEAD. The upper piece of self leveling head is then put into the lower part of the head. SELF LEVELING HEAD is for use on applications with slope. The SELF LEVELING HEAD is self changing and adjusted to level under load. Correction of slope 0-7%. Self-Leveling Head is compatible with all adjustable height SkyJack Pedestal sizes</p>
	<p>8" EXTENDER SLEEVE XL-EXT</p>	<p>EXTENDER SLEEVE is used to increase the height range of SKYJACK PEDESTALS. EXTENDER SLEEVE is screwed into pedestal threads in BASE with the PEDESTAL HEAD being applied onto the top of the sleeve. If pedestals have larger height than 21.75" it is recommended to apply steel strapping to stabilize pedestals.</p>
	<p>REGULATION SHIM SD-XL-SH2</p>	<p>REGULATION SHIM can be used to help compensate small differences in height of raised terrace pavers.</p>
	<p>SPACER TAB 3/16"</p>	<p>SPACER TAB to appoint installation gap dimension of 3/16". Spacer tabs snap onto pedestal head. Individual spacers can be removed for pedestal placement along patio perimeters. 1/8" Spacer Tabs available upon request</p>
	<p>DECK JOIST ADAPTER SD-AD</p>	<p>DECK JOIST ADAPTER snaps onto the top of any adjustable pedestal to accommodate deck joists.</p>
	<p>BASE SLOPE CORRECTOR SD-BSC</p>	<p>BASE SLOPE CORRECTOR snaps onto the bottom of SD-M, SD-L and SD-XL pedestals to correct slopes of up to 8%.</p>



skydeck
— usa —

PEDESTAL SD-XXS

SKYJACK PEDESTALS
AdjustablePedestalSystembySKYDECK USA

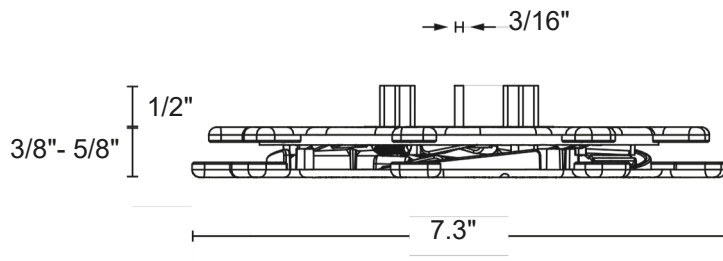
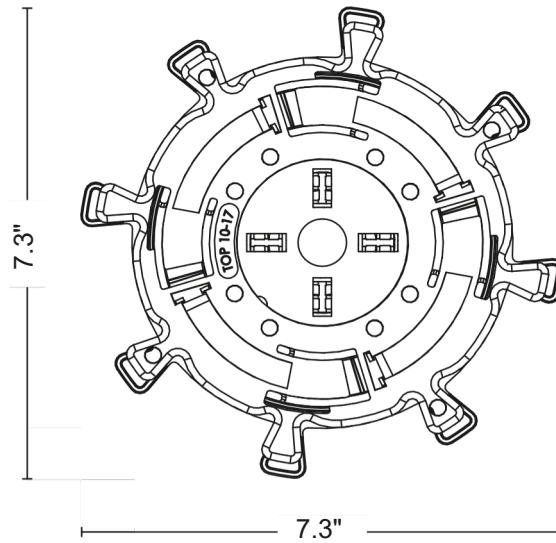
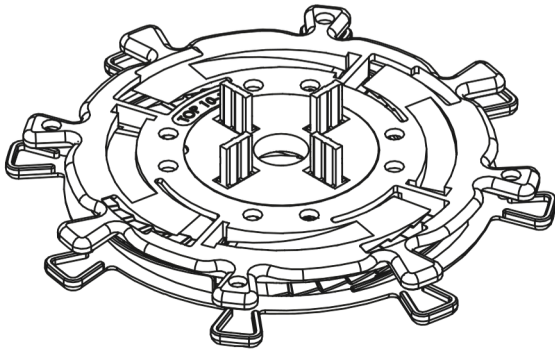
www.skydeckusa.com
info@skydeckusa.com

ADJUSTABLE PEDESTAL 3/8" - 5/8"

The SKYJACK ADJUSTABLE PEDESTAL SYSTEM offers varying height ranges from 3/8" up to 38".

SD-XXS Pedestal Components: Top screw and Bottom Screw labeled "top" and "bottom" sit on top of one another. The gap spacer snap onto the top piece. Height adjusts between 3/8" - 5/8"

SKYJACK ADJUSTABLE PEDESTALS allow for easy and efficient height adjustments and leveling of raised terraces. The width of the pedestal base provides sufficient stability for all construction with virtually any material paver or tile.



SKYJACK ADJUSTABLE PEDESTAL SD-XXS



skydeck
— usa —

PEDESTAL SD-XS

SKYJACK PEDESTALS
AdjustablePedestalSystembySKYDECK USA

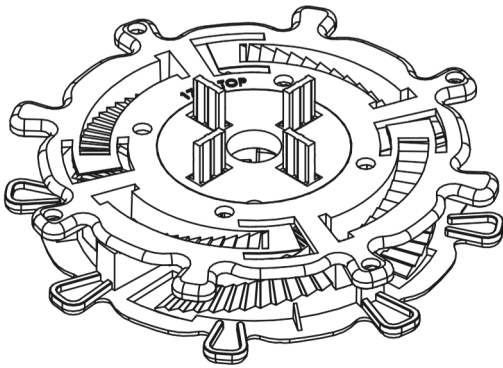
www.skydeckusa.com
info@skydeckusa.com

ADJUSTABLE PEDESTAL 5/8" - 1-1/4"

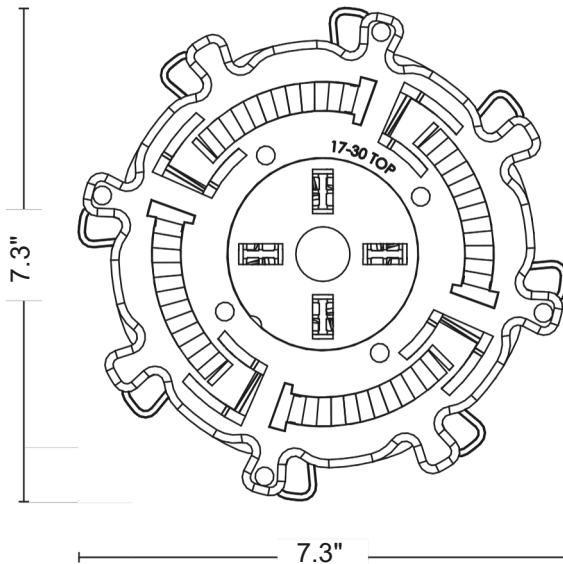
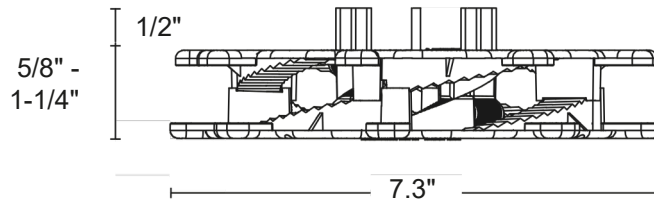
The SKYJACK ADJUSTABLE PEDESTAL SYSTEM offers varying height ranges from 3/8" up to 37.75".

SD-XS Pedestal Components: Top screw and Bottom Screw labeled "top" and "bottom" sit on top of one another. The gap spacer snap onto the top piece. Height adjustment from 5/8" to 1-1/4".

SKYJACK ADJUSTABLE PEDESTALS allow for easy and efficient height adjustments and leveling of raised terraces. The width of the pedestal base provides sufficient stability for all construction with virtually any material paver or tile.



→ H ← 3/16" gap spacer



SKYJACK ADJUSTABLE PEDESTAL SD-XS



skydeck
— **usa** —

PEDESTAL SD-S

SKYJACK PEDESTALS
AdjustablePedestalSystembySKYDECK USA

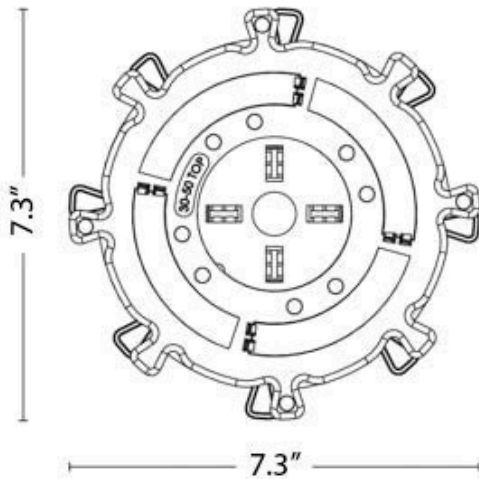
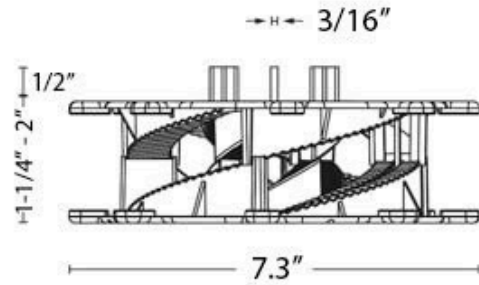
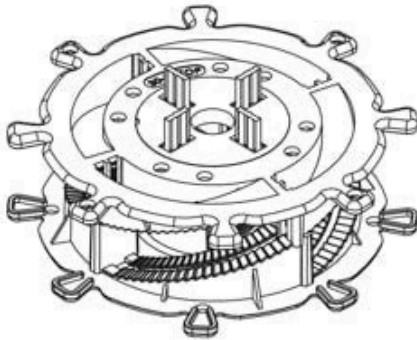
www.skydeckusa.com
info@skydeckusa.com

ADJUSTABLE PEDESTAL 1-1/4" - 2"

The SKYJACK ADJUSTABLE PEDESTAL SYSTEM offers varying height ranges between 1/8" - 13.75"

SD-S Pedestal Components: Top screw and Bottom Screw labeled "top" and "bottom" sit on top of one another. The gap spacer snap on the top piece. Height adjusts from 1-1/4" - 2".

SKYJACK ADJUSTABLE PEDESTALS allow for easy and efficient height adjustments and leveling of raised terraces. The width of the pedestal base provides sufficient stability for all construction with virtually any material paver or tile.



SKYJACK ADJUSTABLE PEDESTAL SD-S



skydeck
— usa —

ADJUSTABLE PEDESTAL

SD-M

SKYJACK PEDESTALS

Adjustable Pedestal System by SKYDECK USA

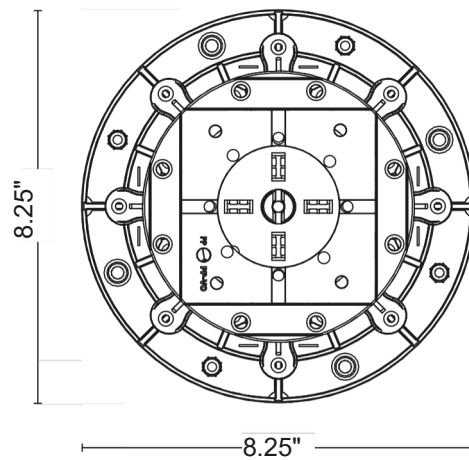
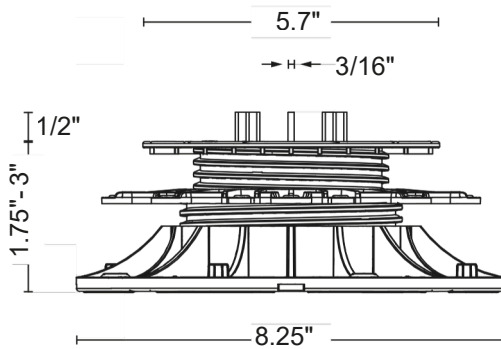
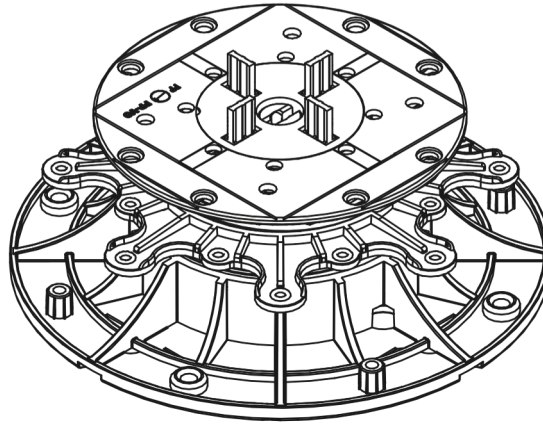
www.skydeckusa.com
info@skydeckusa.com

ADJUSTABLE PEDESTAL 1.75" - 3"

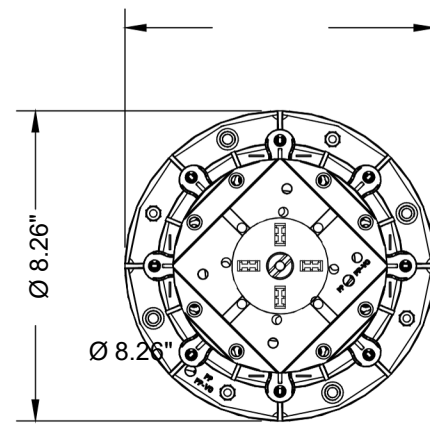
The SKYJACK ADJUSTABLE PEDESTAL SYSTEM offers varying height ranges between 5/8" - 13.75"

Pedestal Components: BASE - SCREW RING - SCREW - SPACER TAB

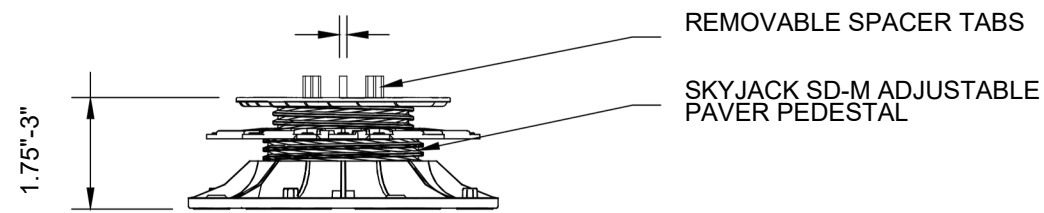
SKYJACK ADJUSTABLE PEDESTALS allow for easy and efficient height adjustments and leveling of raised terraces. The width of the pedestal base provides sufficient stability for all construction.



SKYJACK ADJUSTABLE PEDESTAL SD-M

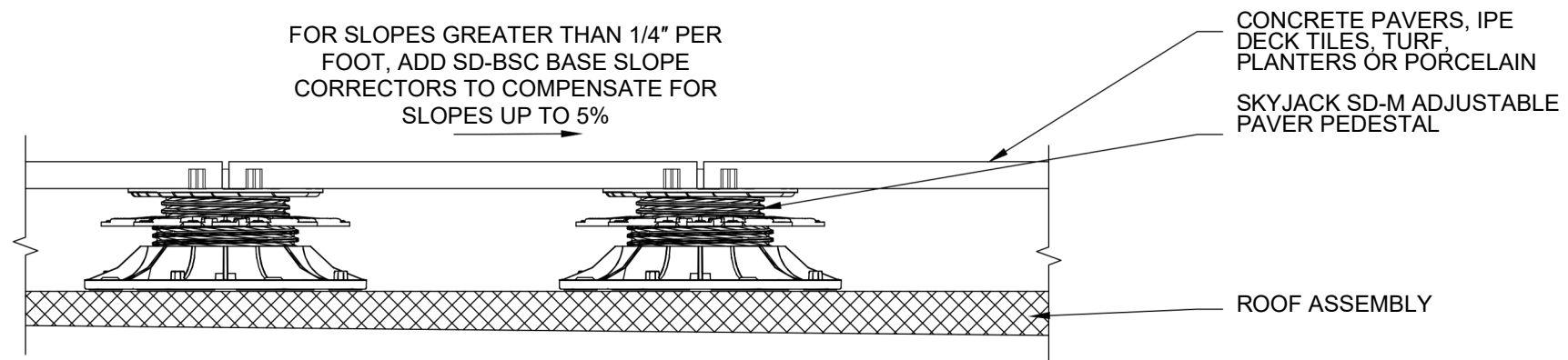


PLAN VIEW



3/16"

FRONT ELEVATION SD-M
WITH TOP PLATE



INSTALLATION DETAIL
TYPICAL PEDESTAL APPLICATION

SPECIFICATIONS		NOTES: - BOX CONTENTS: ONE FULLY ASSEMBLED SD-M ADJUSTABLE PAVER PEDESTAL WITH 3/16" GAP SPACERS*. 54 PCS PER BOX. * 1/8" GAP SPACERS ARE AVAILABLE UPON REQUEST
MATERIAL	FULLY RECYCLABLE HIGH DENSITY COPOLYMER POLY PROPYLENE (HDCCP)	
TEMP. RANGE	-22 to 200 DEGREES FAHRENHEIT	
WEIGHT CAPACITY	2,150 LBS PER PEDESTAL	

ADJUSTABLE PAVER PEDESTAL
 SKYJACK: PEDESTAL SD-M (1.75"-3")

DWG. NO.	DATE: 6/20/25
SHEET	





skydeck
— usa —

ADJUSTABLE PEDESTAL

SD-L

SKYJACK PEDESTALS

Adjustable Pedestal System by SKYDECK USA

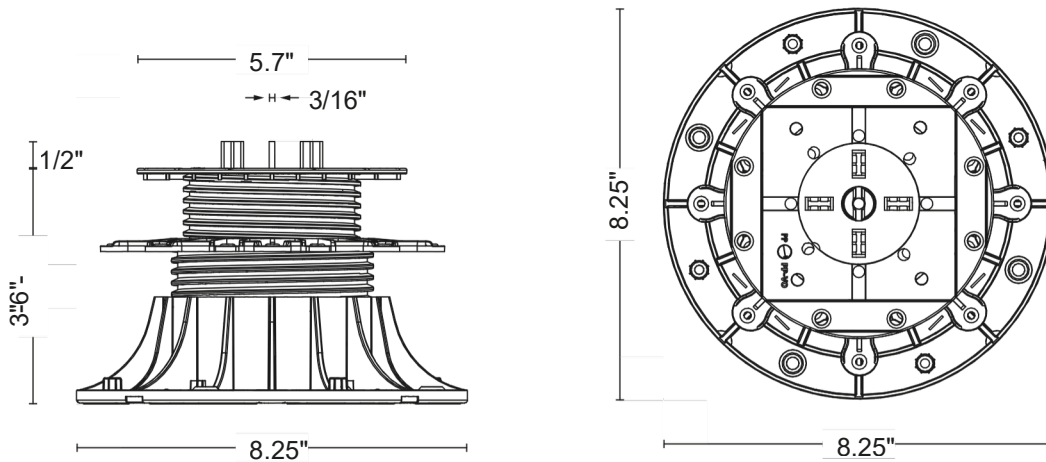
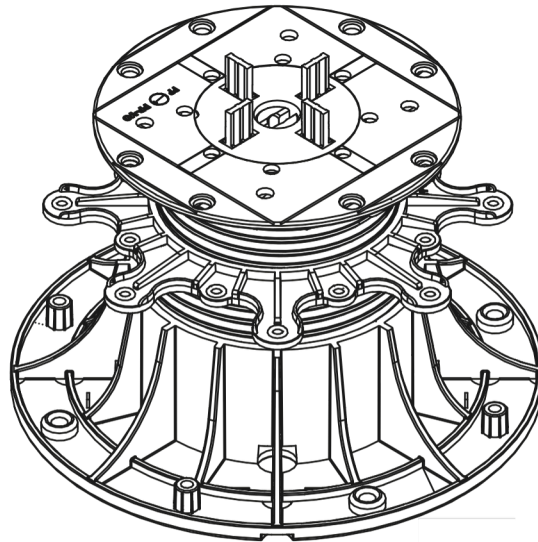
www.skydeckusa.com
info@skydeckusa.com

ADJUSTABLE PEDESTAL 3" - 6"

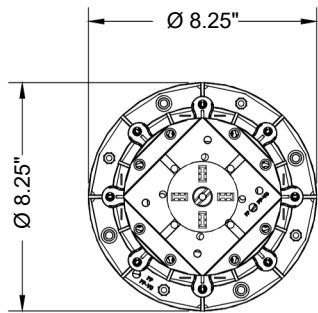
The SKYJACK ADJUSTABLE PEDESTAL SYSTEM offers varying height ranges between 5/8" - 13.75"

Pedestal Components: BASE - SCREW RING - SCREW - SPACER TAB

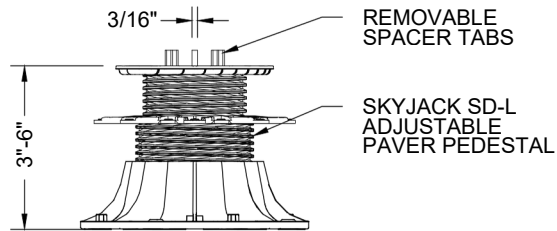
SKYJACK ADJUSTABLE PEDESTALS allow for easy and efficient height adjustments and leveling of raised terraces. The width of the pedestal base provides sufficient stability for all construction.



SKYJACK ADJUSTABLE PEDESTAL SD-L

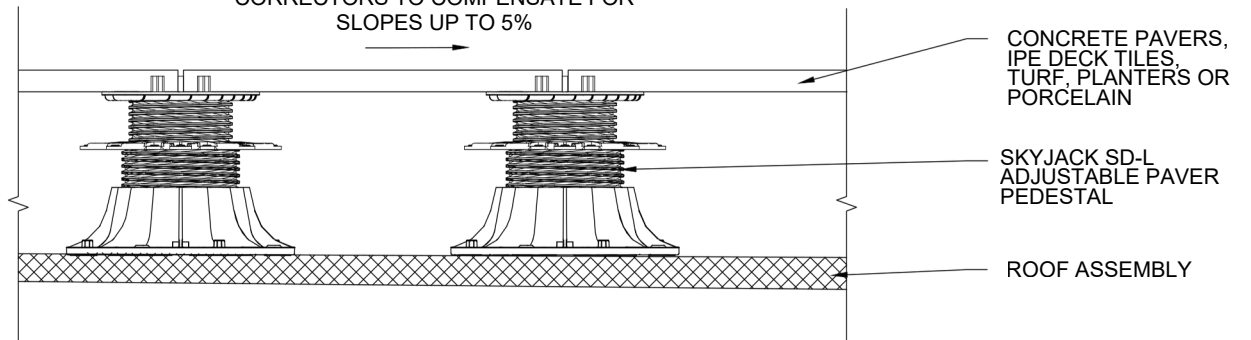


PLAN VIEW



FRONT ELEVATION
SD-L WITH TOP PLATE

FOR SLOPES GREATER THAN 1/4" PER
FOOT, ADD SD-BSC BASE SLOPE
CORRECTORS TO COMPENSATE FOR
SLOPES UP TO 5%



INSTALLATION DETAIL
TYPICAL PEDESTAL APPLICATION

SPECIFICATIONS		NOTES:
MATERIAL	FULLY RECYCLABLE HIGH DENSITY COPOLYMER POLY PROPYLENE (HDCPP)	- BOX CONTENTS: ONE FULLY ASSEMBLED SD-L ADJUSTABLE PAVER PEDESTAL WITH 3/16" GAP SPACERS*. 36 PCS PER BOX. * 1/8" GAP SPACERS ARE AVAILABLE UPON REQUEST
TEMP. RANGE	-22 to 200 DEGREES FAHRENHEIT	
WEIGHT CAPACITY	2,150 LBS PER PEDESTAL	

ADJUSTABLE PAVER PEDESTAL
SKYJACK: PEDESTAL SD-L (3"-6")

DWG. NO.	DATE: 6/20/25
SHEET	BY:





ADJUSTABLE PEDESTAL

SD-XL

SKYJACK PEDESTALS

Adjustable Pedestal System by SKYDECK USA

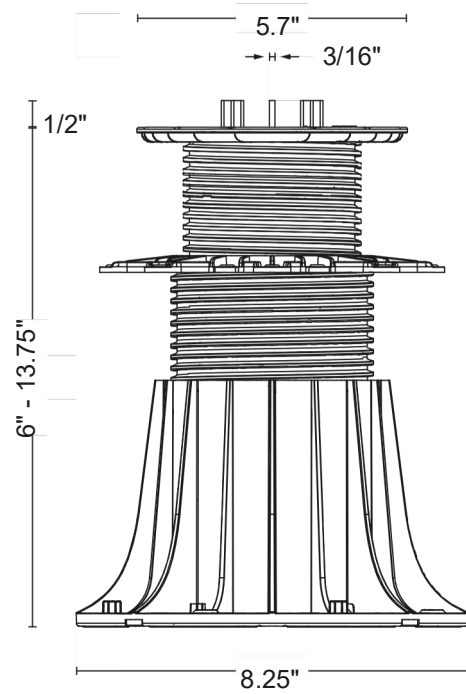
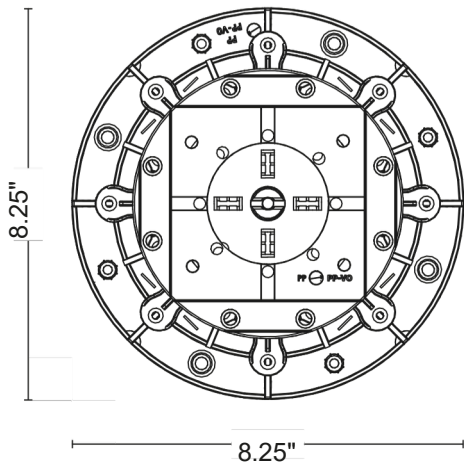
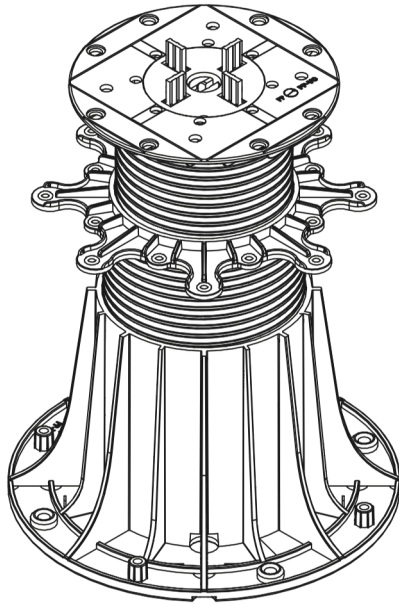
www.skydeckusa.com
info@skydeckusa.com

ADJUSTABLE PEDESTAL 6" - 13.75"

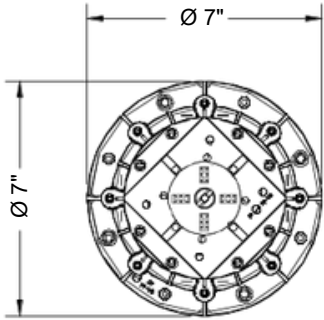
The SKYJACK ADJUSTABLE PEDESTAL SYSTEM offers varying height ranges between 5/8" - 13.75"

Pedestal Components: BASE - SCREW RING - SCREW - SPACER TAB

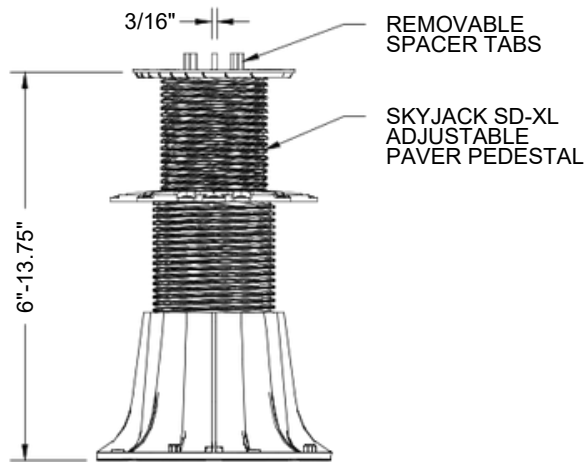
SKYJACK ADJUSTABLE PEDESTALS allow for easy and efficient height adjustments and leveling of raised terraces. The width of the pedestal base provides sufficient stability for all construction.



SKYJACK ADJUSTABLE PEDESTAL SD-XL

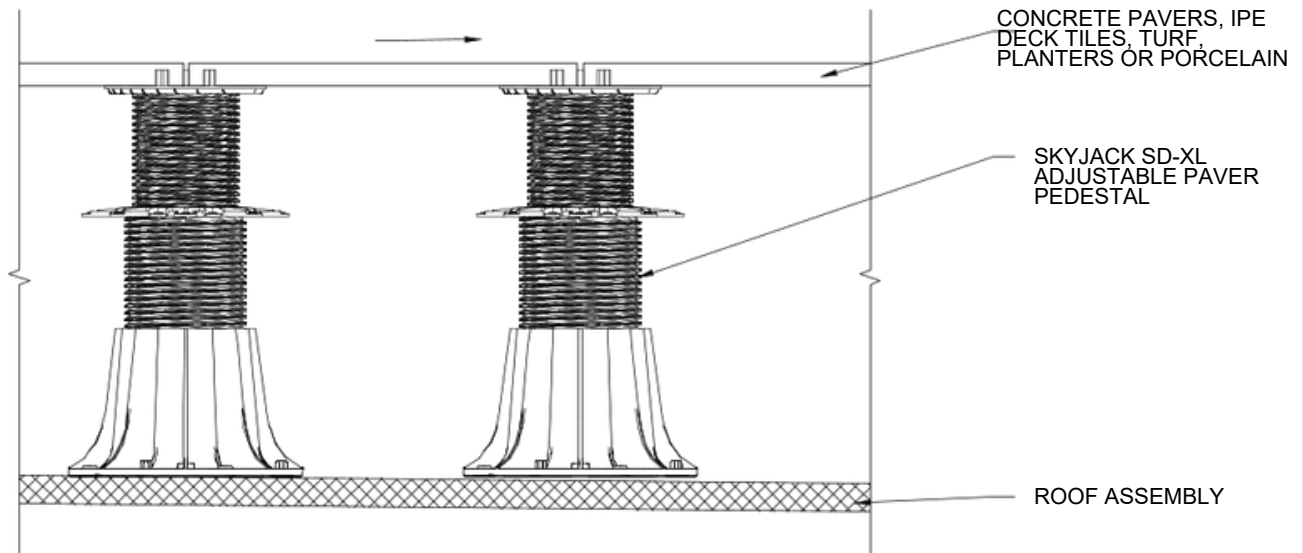


PLAN VIEW



FRONT ELEVATION
SD-XL WITH TOP PLATE

FOR SLOPES GREATER THAN 1/4" PER FOOT, ADD
SD-XL-SLH SELF-LEVELING HEADS TO COMPENSATE
FOR SLOPES UP TO 5%



INSTALLATION DETAIL
TYPICAL PEDESTAL APPLICATION

SPECIFICATIONS

MATERIAL	FULLY RECYCLABLE HIGH DENSITY COPOLYMER POLY PROPYLENE (HDCPP)
TEMP. RANGE	-22 to 200 DEGREES FAHRENHEIT
WEIGHT CAPACITY	2,150 LBS PER PEDESTAL

NOTES:

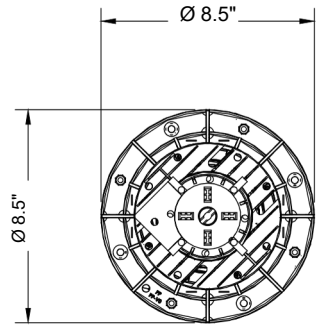
- **BOX CONTENTS:** ONE FULLY ASSEMBLED SD-XL ADJUSTABLE PAVER PEDESTAL WITH 3/16" GAP SPACERS*.
- 18 PCS PER BOX.
- * 1/8" GAP SPACERS ARE AVAILABLE UPON REQUEST

ADJUSTABLE PAVER PEDESTAL

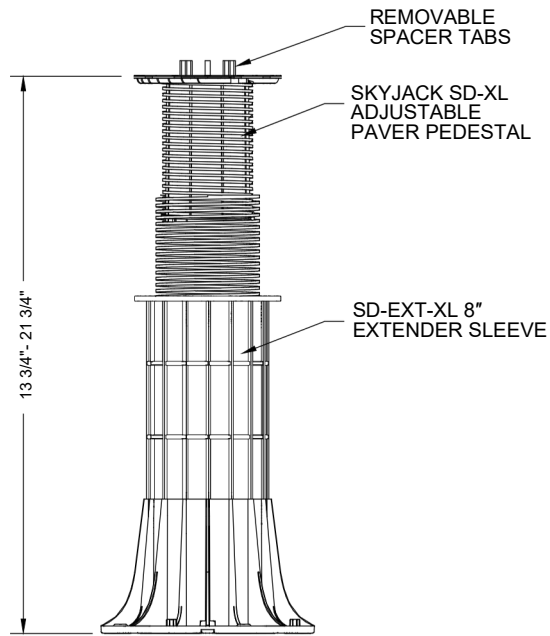
SKYJACK: PEDESTAL SD-XL (6"-13.75")

DWG. NO.	DATE: 6/20/25
SHEET	BY:



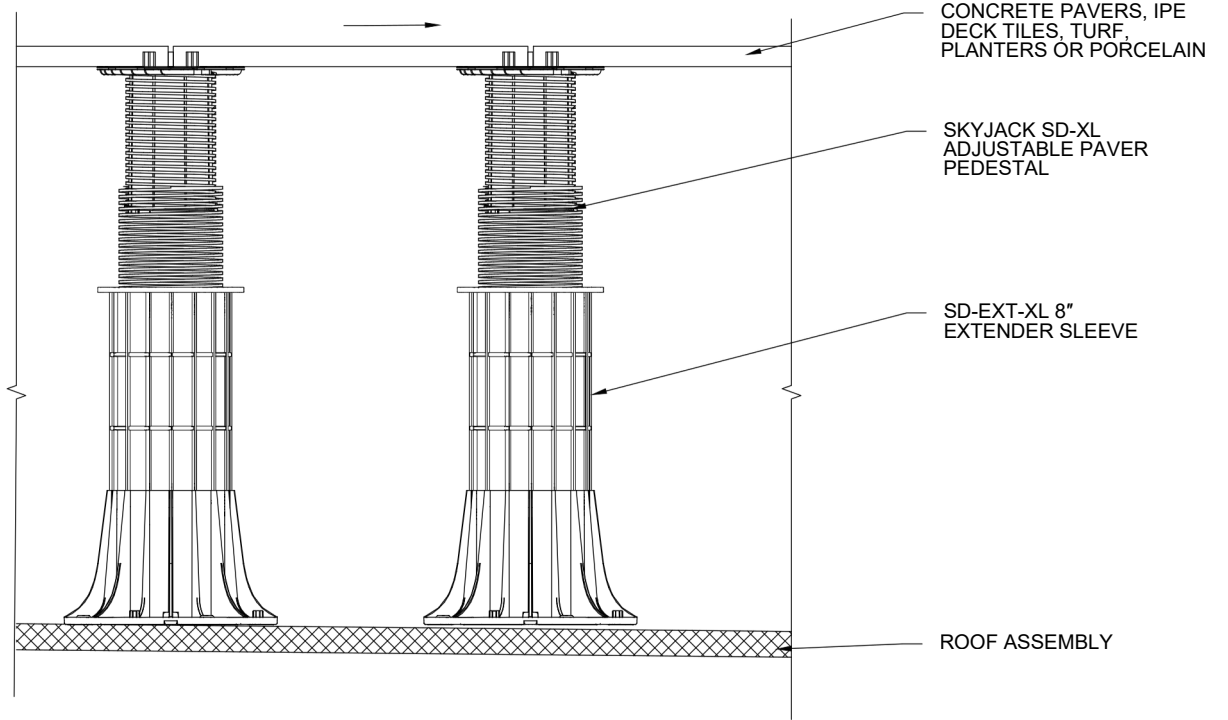


PLAN VIEW



FRONT ELEVATION
SD-XL + SD-XL-EXT WITH TOP PLATE

FOR SLOPES GREATER THAN 1/4" PER FOOT,
USE SD-BSC BASE SLOPE CORRECTOR TO COMPENSATE FOR SLOPES
UP TO 5%.



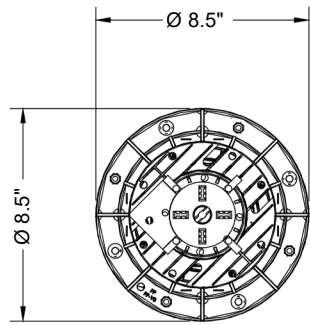
INSTALLATION DETAIL
TYPICAL PEDESTAL APPLICATION

SPECIFICATIONS		NOTES:
MATERIAL	FULLY RECYCLABLE HIGH DENSITY COPOLYMER POLY PROPYLENE (HD CPP)	- BOX CONTENTS: ONE FULLY ASSEMBLED SD-XL ADJUSTABLE PAVER PEDESTAL WITH 3/16" GAP SPACERS* (18 pcs per box) + SD-XL-EXT Height Extenders (30 per box) *1/8" GAP SPACERS ARE AVAILABLE UPON REQUEST
TEMP. RANGE	-22 to 200 DEGREES FAHRENHEIT	
WEIGHT CAPACITY	2,150 LBS PER PEDESTAL	

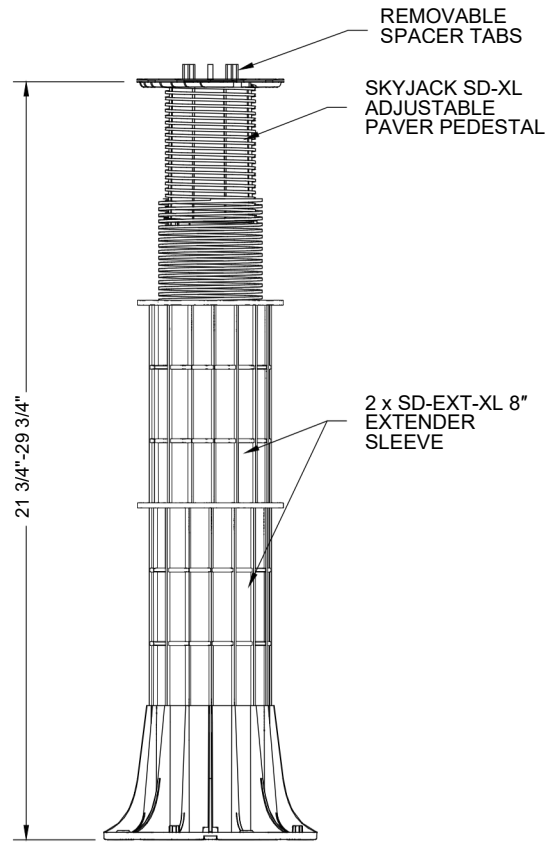
ADJUSTABLE PAVER PEDESTAL

SKYJACK: SD-XL + SD-XL-EXT - 13 3/4" - 21 3/4"

DWG. NO.	DATE: 6/20/25	
SHEET	BY:	

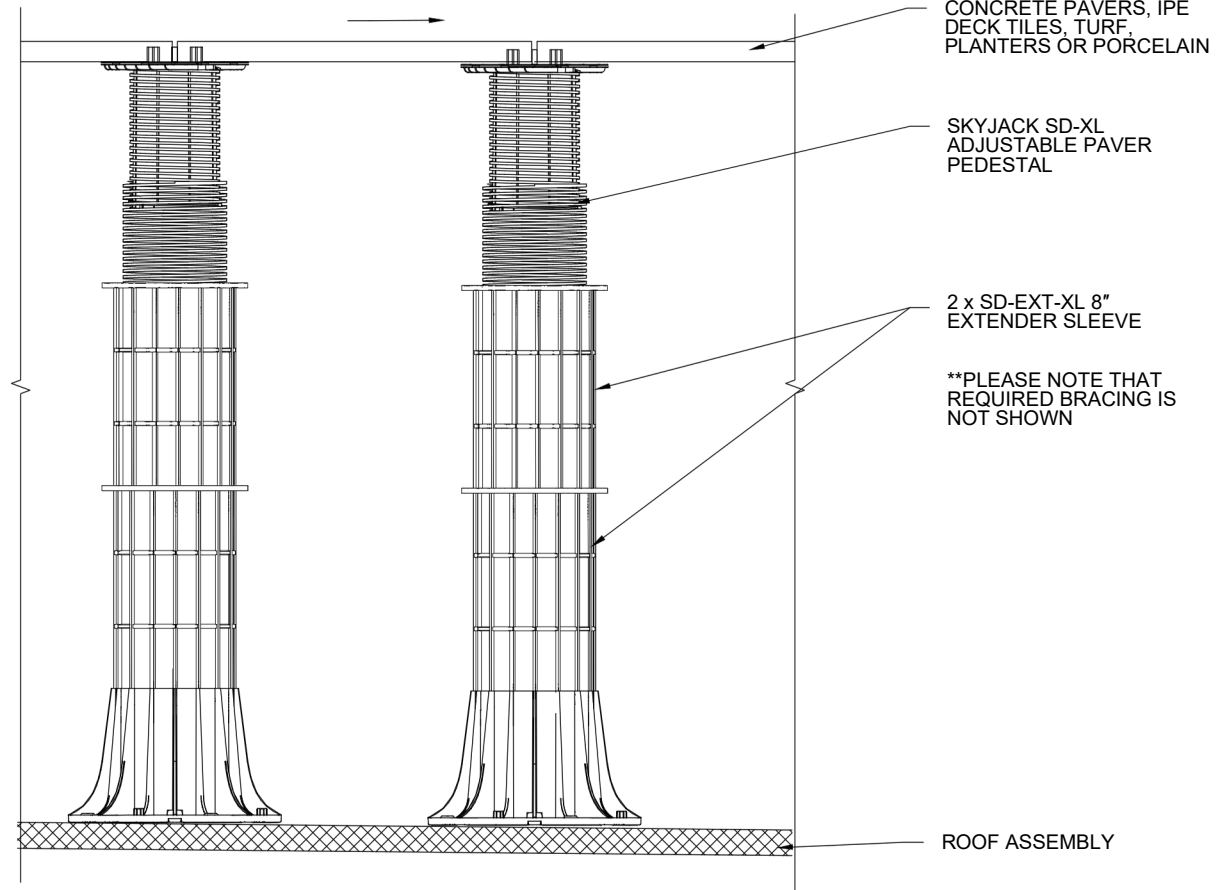


PLAN VIEW



FRONT ELEVATION
SD-XL + 2 SD-XL-EXT WITH TOP PLATE

FOR SLOPES GREATER THAN 1/4" PER FOOT,
USE SD-BSC BASE SLOPE CORRECTOR TO COMPENSATE FOR SLOPES
UP TO 5%.



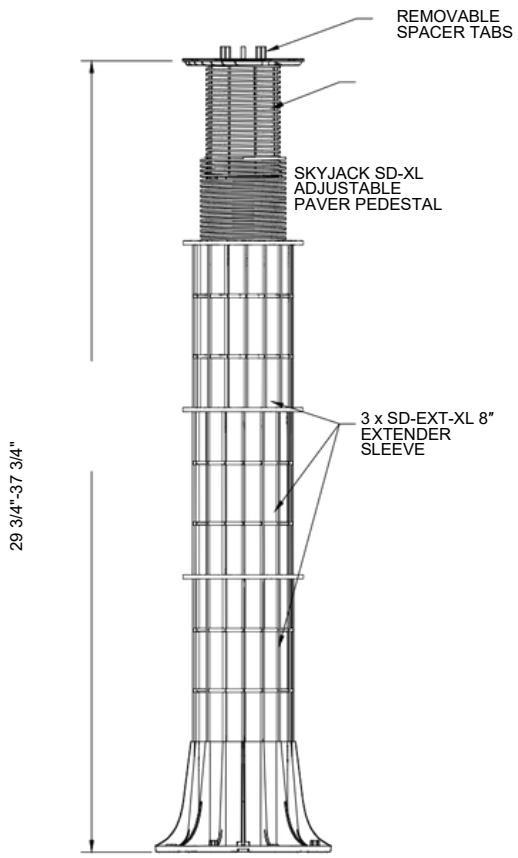
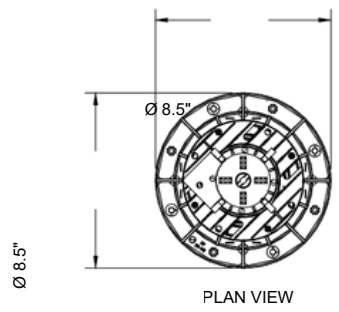
INSTALLATION DETAIL
TYPICAL PEDESTAL APPLICATION

SPECIFICATIONS		NOTES:
MATERIAL	FULLY RECYCLABLE HIGH DENSITY COPOLYMER POLY PROPYLENE (HD CPP)	- BOX CONTENTS: ONE FULLY ASSEMBLED SD-XL ADJUSTABLE PAVER PEDESTAL WITH 3/16" GAP SPACERS* (18 per box) + SD-XL-EXT (30 per box) * 1/8" GAP SPACERS ARE AVAILABLE UPON REQUEST
TEMP. RANGE	-22 to 200 DEGREES FAHRENHEIT	**PLEASE NOTE - PEDESTALS WITH 2 EXTENDERS OR MORE REQUIRE BRACING NOT SHOWN IN THIS DETAIL. PLEASE REFER TO OUR SKYHEIGHTS BRACING SYSTEM DETAIL FOR MORE INFORMATION.
WEIGHT CAPACITY	2,150 LBS PER PEDESTAL	

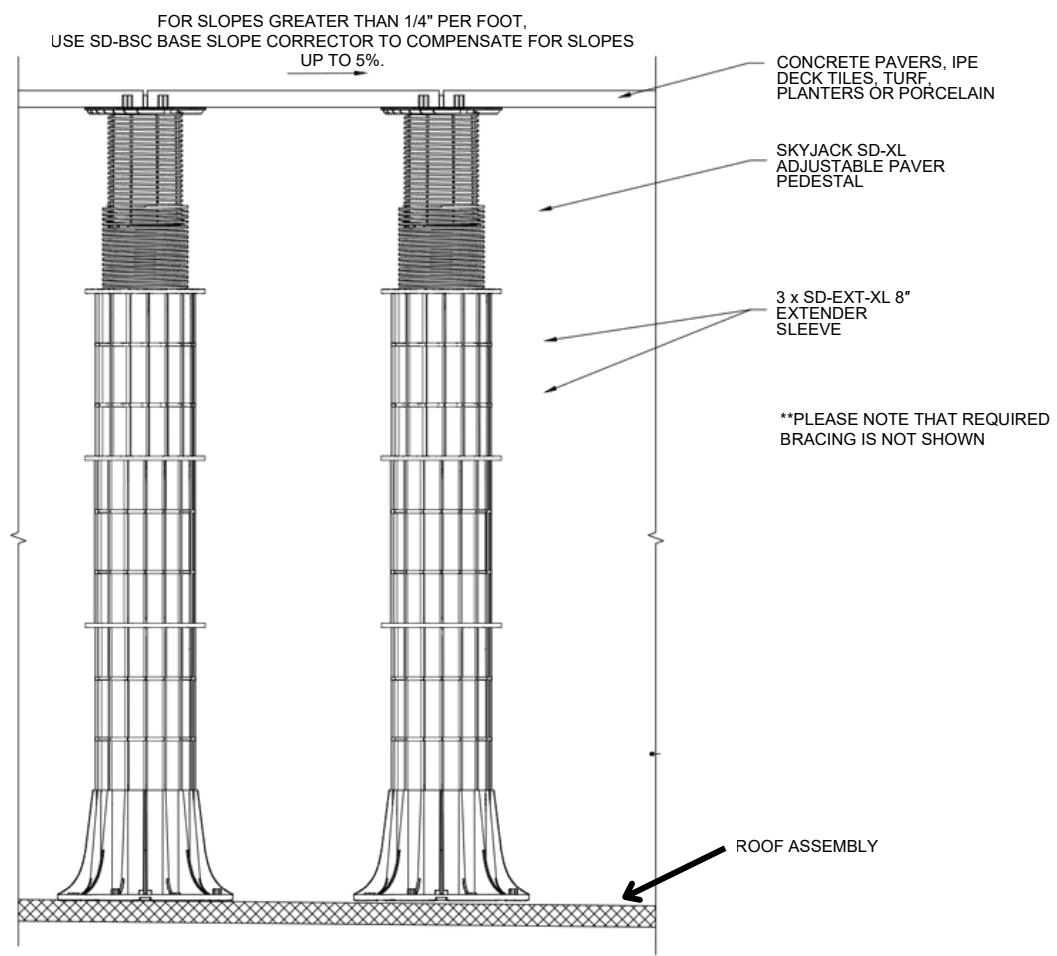
ADJUSTABLE PAVER PEDESTAL

SKYJACK: SD-XL + 2 SD-XL-EXT - 21 3/4"-29 3/4"

DWG. NO.	DATE:	
SHEET	BY:	



SD-XL + 3 SD-XL-EXT WITH TOP PLATE



TYPICAL PEDESTAL APPLICATION

SPECIFICATIONS		NOTES:
MATERIAL	FULLY RECYCLABLE HIGH DENSITY COPOLYMER POLY PROPYLENE (HDCCP)	- BOX CONTENTS: ONE FULLY ASSEMBLED SD-XL ADJUSTABLE PAVER PEDESTAL WITH 3/16" GAP SPACERS* (18 per box) + SD-XL-EXT 8" Height Extenders (30 per box) 1/8" GAP SPACERS ARE AVAILABLE UPON REQUEST **PLEASE NOTE - PEDESTALS WITH 2 EXTENDERS OR MORE REQUIRE BRACING NOT SHOWN IN THIS DETAIL. PLEASE REFER TO OUR SKYHEIGHTS BRACING SYSTEM DETAIL FOR MORE INFORMATION.
TEMP. RANGE	-22 to 200 DEGREES FAHRENHEIT	
WEIGHT CAPACITY	2,150 LBS PER PEDESTAL	

ADJUSTABLE PAVER PEDESTAL
 SKYJACK: SD-XL + 3 SD-XL-EXT - 29 3/4"-37 3/4"

DWG. NO.	DATE: 6/20/25	
SHEET	BY:	



skydeck
usa

REGULATION SHIM

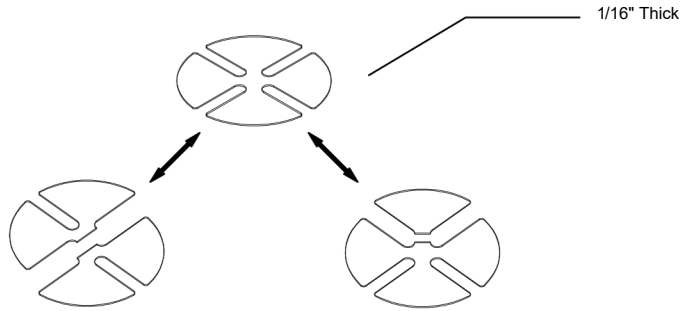
SD-XL-SH2

SKYJACK PEDESTALS

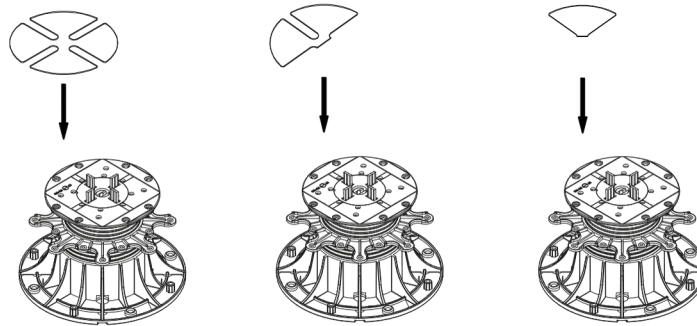
Adjustable Pedestal System by SKYDECK USA

www.skydeckusa.com
info@skydeckusa.com

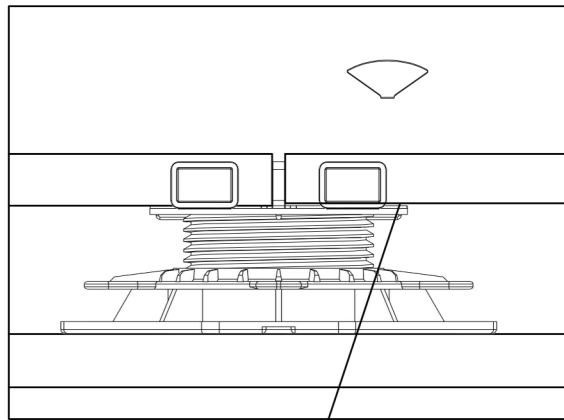
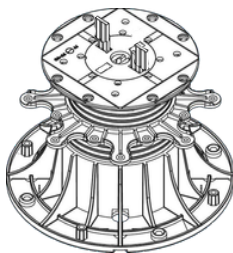
REGULATION SHIMS can be used to eliminate uneven pavers and to compensate small differences in height of terrace pavers.



REGULATION SHIMS can be easily cut to fit to use just halves or quarters.



SD-XL-SH2 shims should be used with SD-TS, SD-00 and all adjustable pedestals

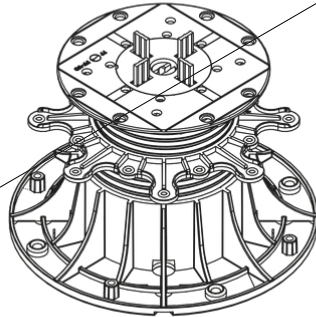


REGULATION SHIM

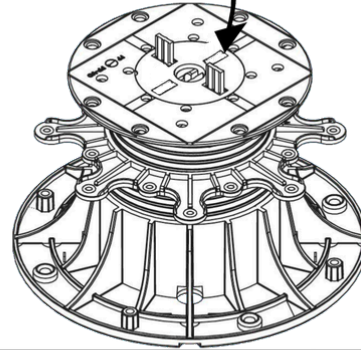
SKYJACK REGULATION SHIM



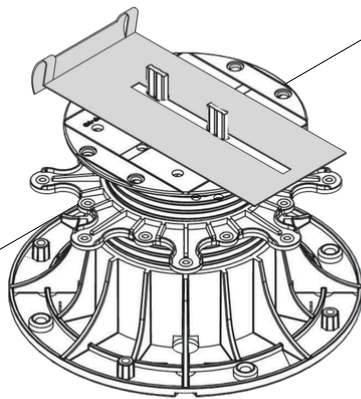
Place pedestal against the perimeter wall



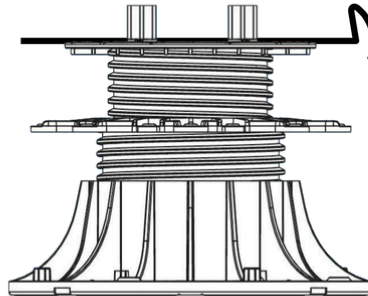
Snap off 2 parallel tabs



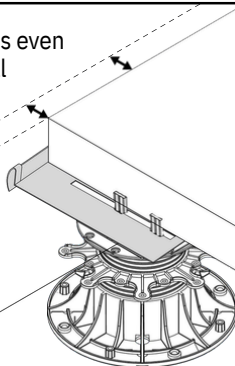
Place the wall clip
on top of the
pedestal



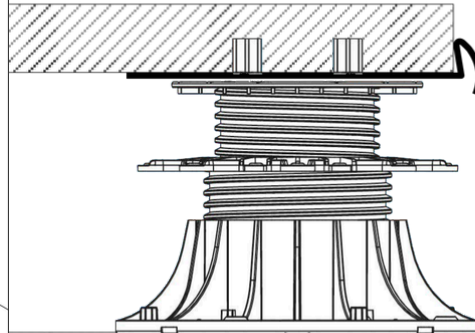
Side view of wall clip on pedestal



Wall clip maintains even
spacing along wall



Side view of paver on wall clip





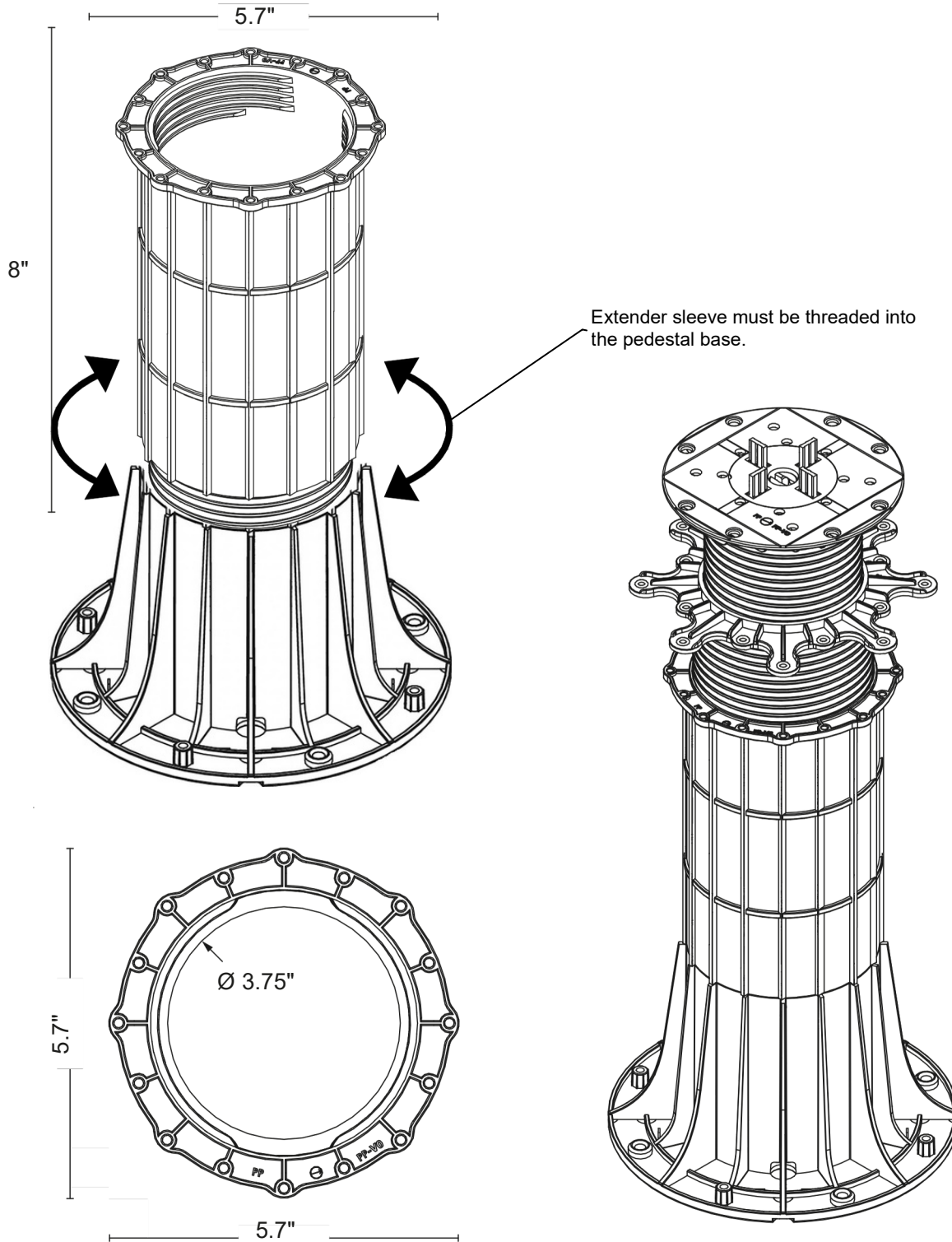
skydeck
usa

**EXTENDER
SLEEVE**
SD-XL-EXT

SKYJACK PEDESTALS
Adjustable Pedestal System by SKYDECK USA

www.skydeckusa.com
info@skydeckusa.com

The SD-XL-EXT Extender Sleeve is used to increase the height range of SD-XL SkyJack pedestals. The extender sleeve threads into the pedestal base, and the screw head is installed at the top of the assembly. For pedestal heights over 21.75", the SkyHeights Pedestal Bracing System is required to stabilize the pedestal assembly in accordance with Skydeck USA installation requirements.



SKYJACK EXTENDER SLEEVE - SD-XL-EXT



skydeck
— usa —

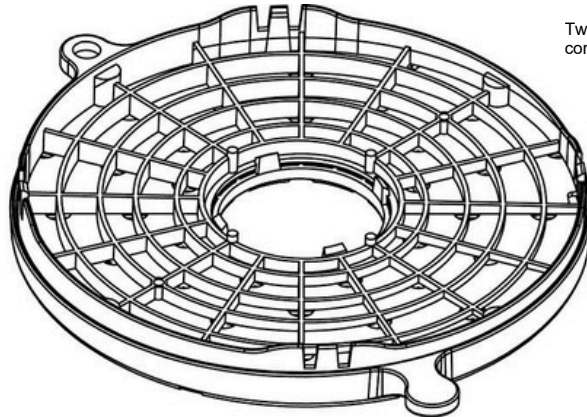
BASE SLOPE CORRECTOR

SKYJACK PEDESTALS
Adjustable Pedestal System by SKYDECK USA

SD-BSC

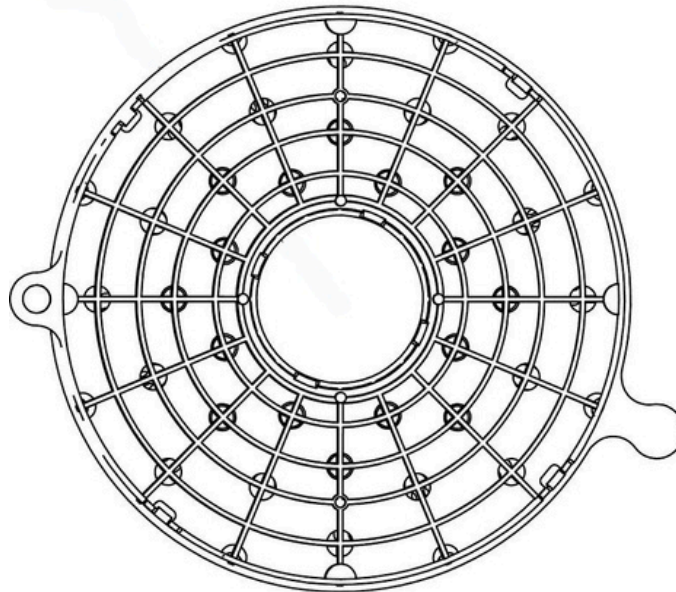
www.skydeckusa.com
info@skydeckusa.com

The SKYJACK BASE SLOPE CORRECTOR is placed underneath SD-M, SD-L and SD-XL pedestals to compensate for slopes up to 5%.

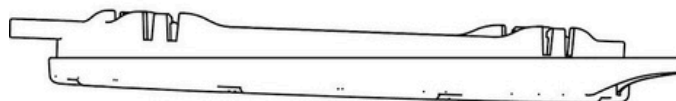


Twist to adjust the slope
correction from 0-5%

8-5/8"



9/16" to
1-3/16"



SKYJACK BASE SLOPE CORRECTOR - SD-BSC



skydeck
— USA —

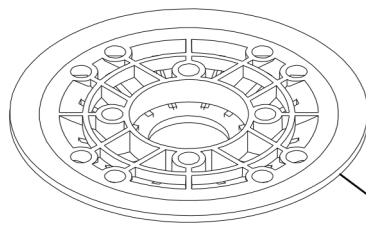
Self-Leveling Head

SD-XL-SLH

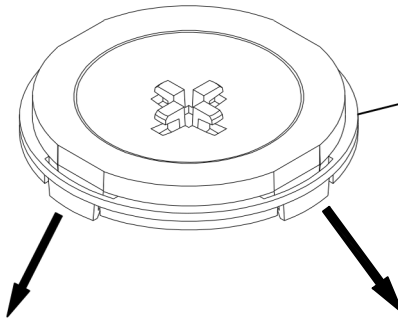
SKYJACK PEDESTALS
Adjustable Pedestal System by SKYDECK USA

www.skydeckusa.com
info@skydeckusa.com

SKYJACK SELF LEVELING HEAD attaches to the top of the pedestal screw and can be utilized on all the different pedestal sizes. SKY JACK PEDESTALS with SELF LEVELING HEADS help compensate for terraces with sloped applications.

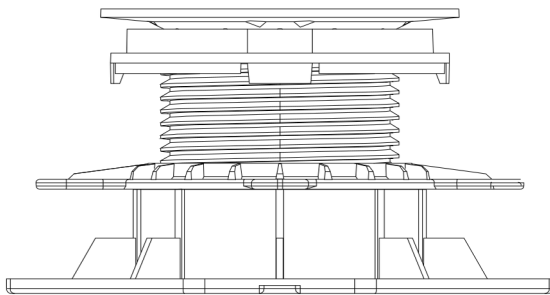


SELF LEVELING HEAD, top

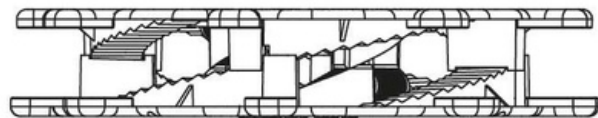


SELF LEVELING HEAD, bottom

Compatible with SD-M, SD-L and SD-XL Pedestals



Also compatible with SD-XXS, SD-XS and SD-S Pedestals



SKYJACK ADJUSTABLE PEDESTALS SD-XL-SLH SELF LEVELING HEAD



skydeck
usa

Rubber Protective Pad

SD-PP

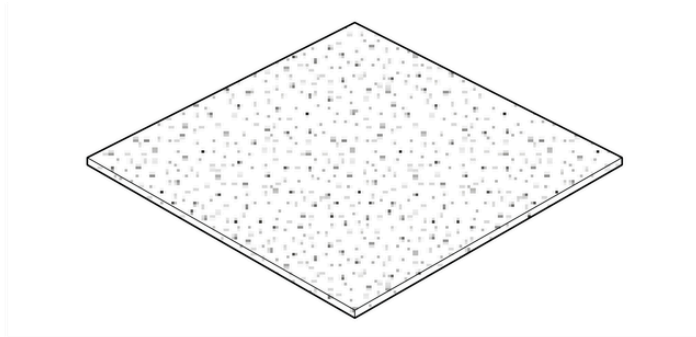
SKYJACK PEDESTALS

Adjustable Pedestal System by SKYDECK USA

www.skydeckusa.com

info@skydeckusa.com

Rubber Protective Pads can be used underneath the pedestals to protect the roof membrane. We always recommend the use of rubber protection pads to avoid the roofing material adhering to the pedestal base with high roof temperatures. Rubber Protective Pads also help dampen sound when using the terrace. Rubber protective pads are water and weather resistant.



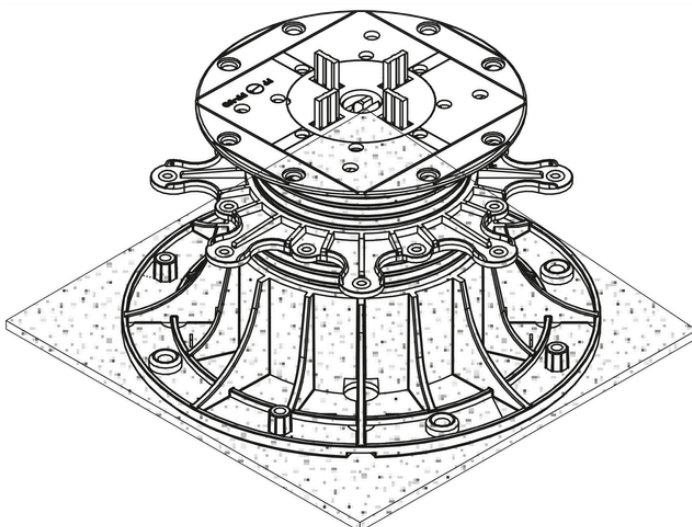
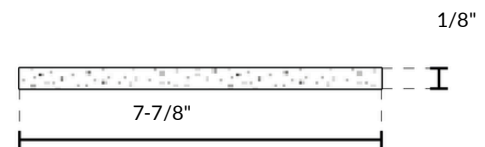
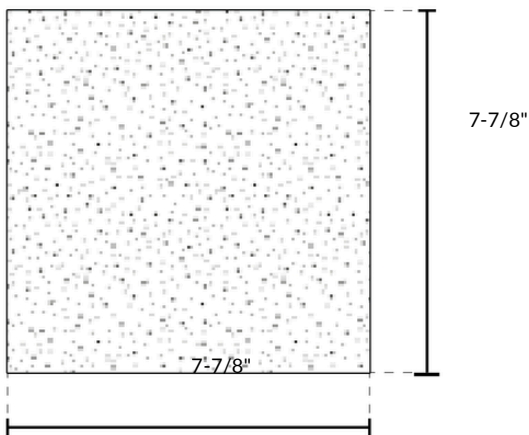
Technical data

Size:

Width/Length: 7-7/8"

Thickness: 1/8"

Material: SBR, polyurethane glue



Noise reduction

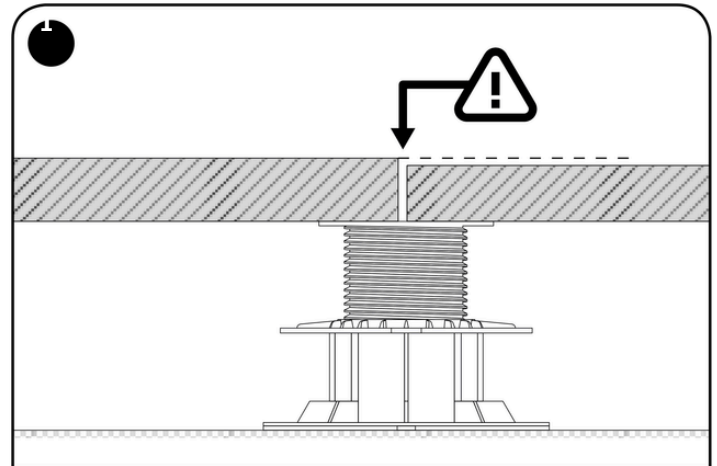
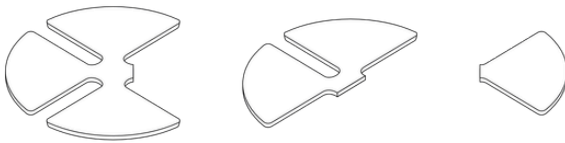
Rubber protective pads help dampen sound when walking on the patio.

SKYJACK RUBBER PROTECTIVE PAD

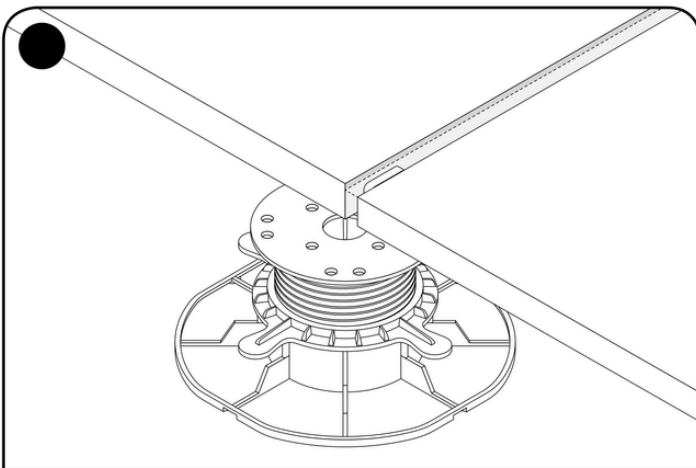


Rubber shims

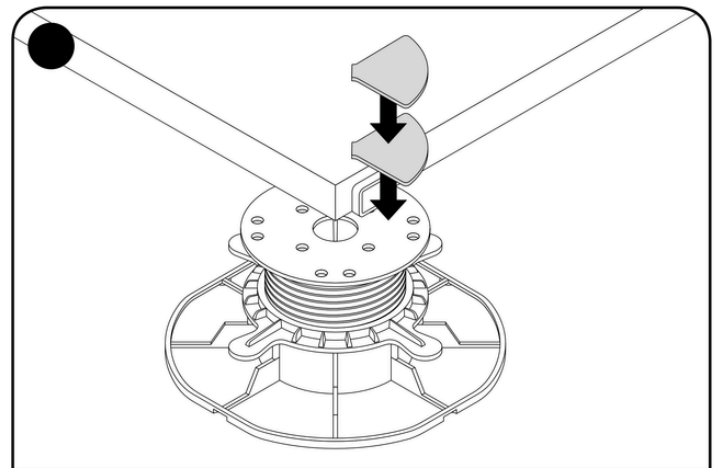
In situations where there are minor differences in tile thickness, rubber shims can be used to level the pavers. First, place shims on top of the lower paver. Using a level, stack shims until the shims are level with adjacent paver. Then lift the corner of the lower paver and place the shims on the appropriate corner of the pedestal.



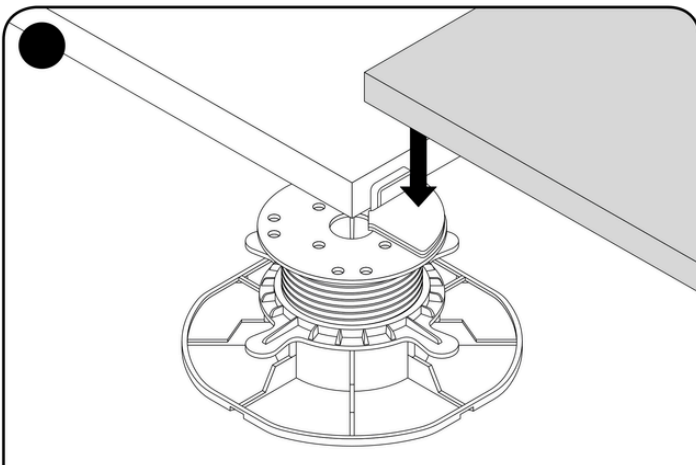
1. Measure tile thicknesses.



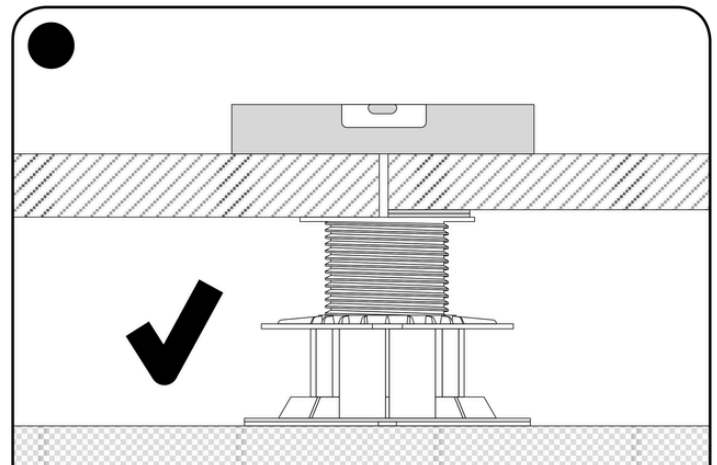
2. Verify thickness differences between tiles.



3. Place shims on the appropriate corner of the pedestal.



4. Place tile back down on top of the rubber shims.



5. Double check that the pavers are level

PEDESTAL WEIGHT PERFORMANCE



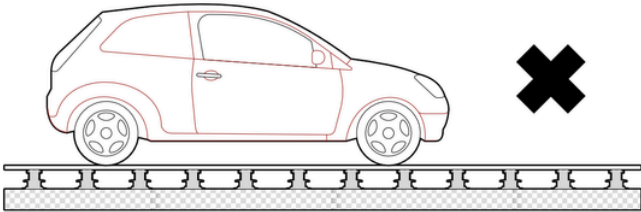
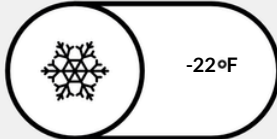
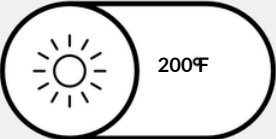
Acceptable weight load

SkyJack pedestals have a weight bearing capacity of 2,150 lbs

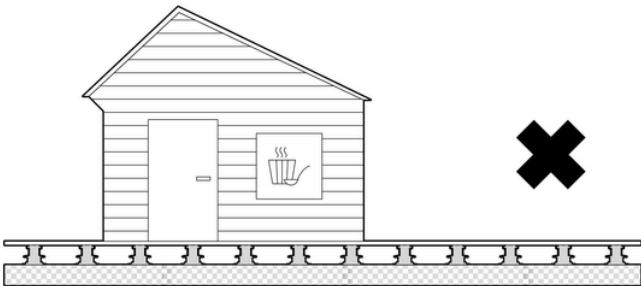


Temperature resistance

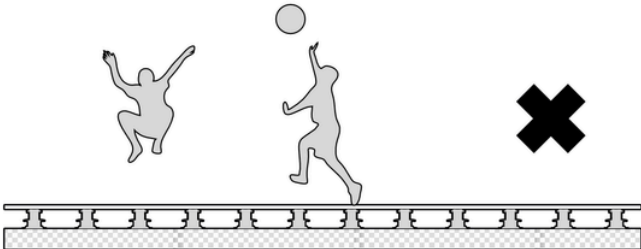
SkyJack pedestals can withstand extreme temperatures



It is forbidden to drive any vehicle on the terrace.



It is forbidden to place any heavy object on the terrace.

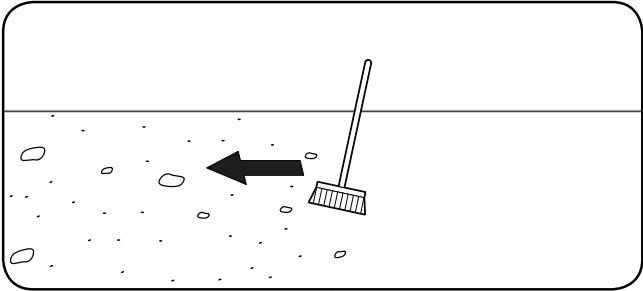
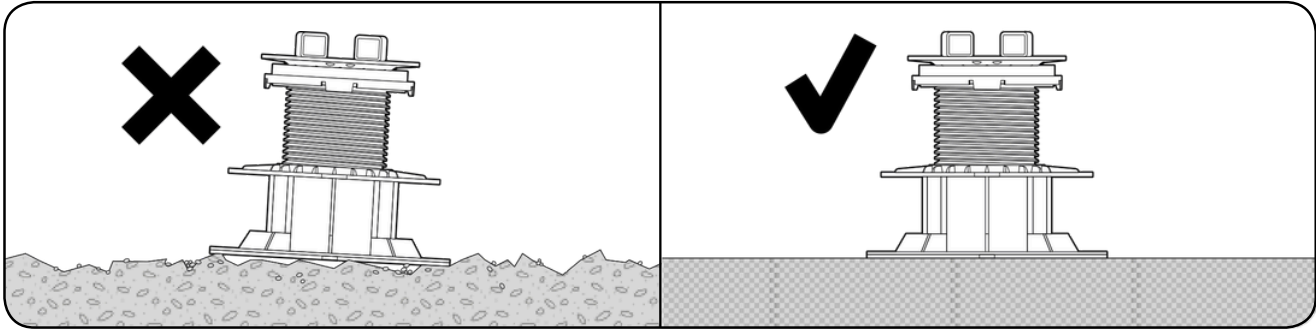


It is forbidden to run or jump on the terrace.

PEDESTAL FOUNDATION NOTES

Flat surface

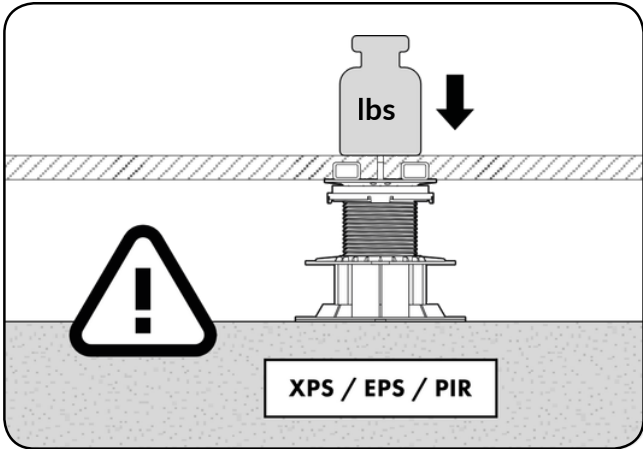
The foundation on which pedestals are placed must be flat and provide stability for the pedestals.



Clean surface
Before placing pedestals. Clean terrace surface from any unwanted elements. Do not place pedestals on dirt and debris.

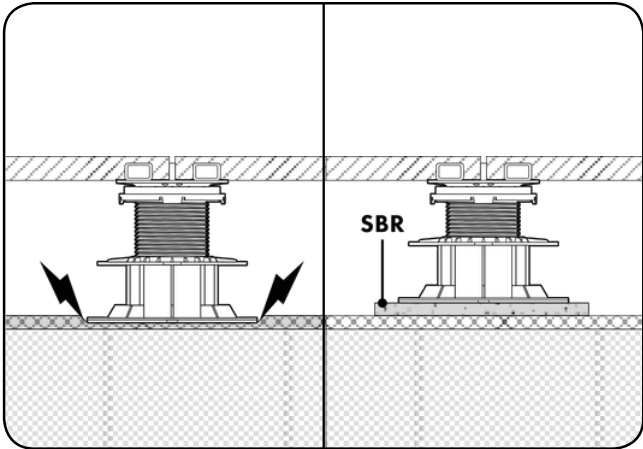
Foundation weight loading

Pedestals can be placed on the 60 psi rigid insulation board or similar. Remember to check foundation weight loading performance.



Sensitive surface protection

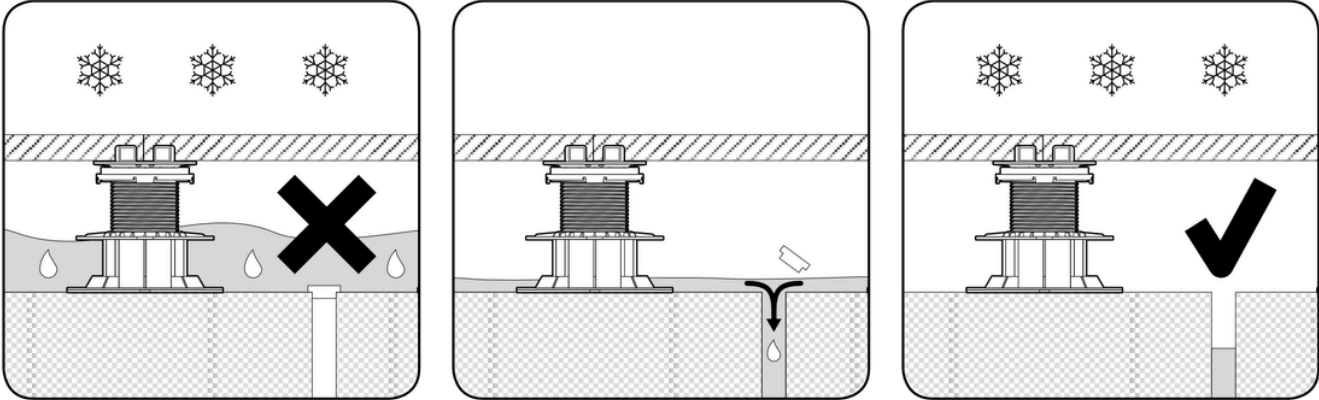
In order to prevent pedestals adhering to the roofing membrane or causing damage, rubber protective pads are recommended underneath the pedestals.



IMPORTANT INFORMATION REGARDING WATER

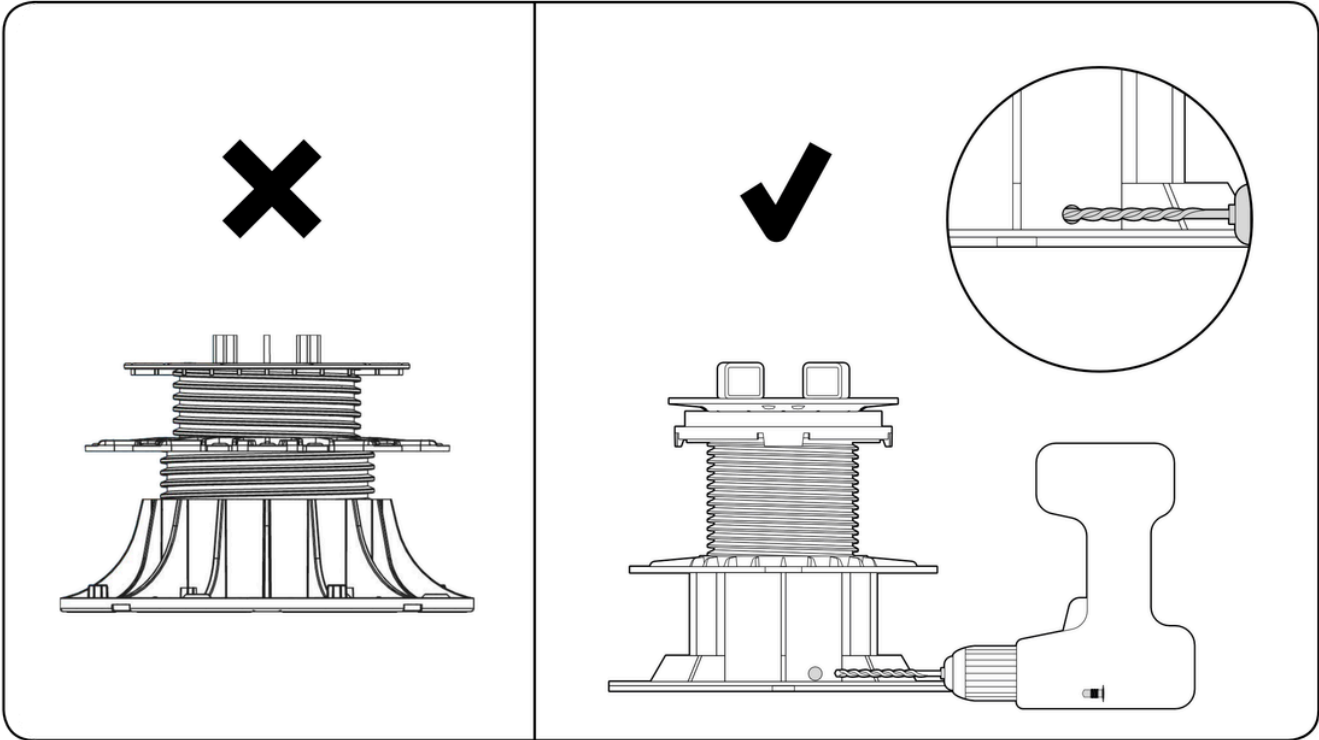
▼ Pedestals must be able to drain all water

Pedestals that are not allowed proper water drainage may crack during freezing temperatures. Routinely check that pedestals are not collecting water and that they have not adhered to the roofing membrane. To avoid adhering, use rubber protective pads underneath each pedestal.



▼ Water inside pedestals

If the pedestals have water collecting inside them, drill additional weep holes at the bottom of the pedestals to allow the water to freely flow out.

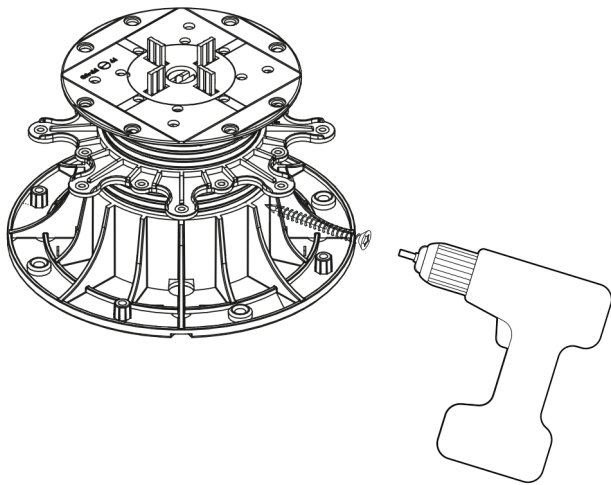


PEDESTAL LOCKING

For pedestal decks in areas that experience significant vibration, including but not limited to airports, concerts, live music venues, or dancing venues, a pedestal locking screw is required.

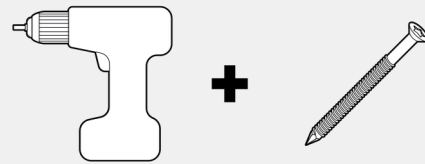
▼ Lock pedestals in place

Certain roofs experience vibrations that can cause the pedestals to slowly adjust down. To prevent this, place a screw through the base and screw ring to lock it into place.



Tools:

First drill the hole and then install the screw with a drill.

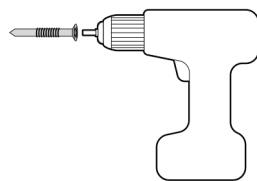


Drill

Screws

▼ Pedestal height lock

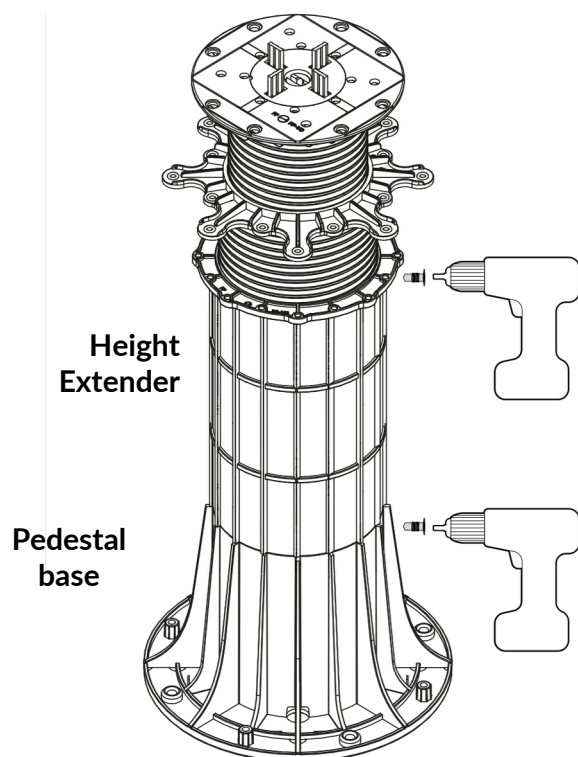
Drill through the pedestal base and screw ring, then drive the screw into place to lock the pedestal height.



Ensure that pavers are all flush and level before adding the screw. The pedestals can't adjust once the screw is installed.

▼ Pedestal lock with height extender

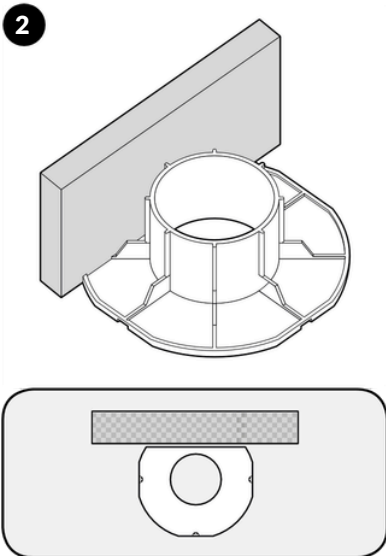
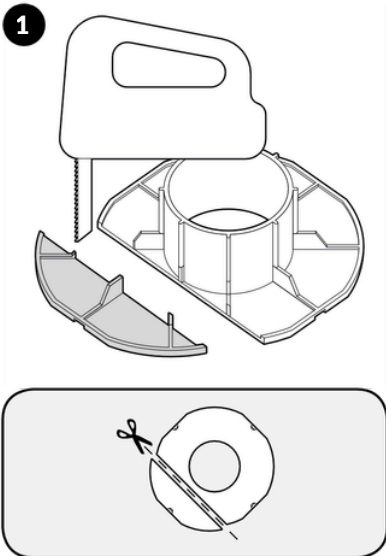
When locking the height of pedestals that use height extenders, place a screw at the top connection and at each height-extender intersection.



CUTTING PEDESTAL BASE

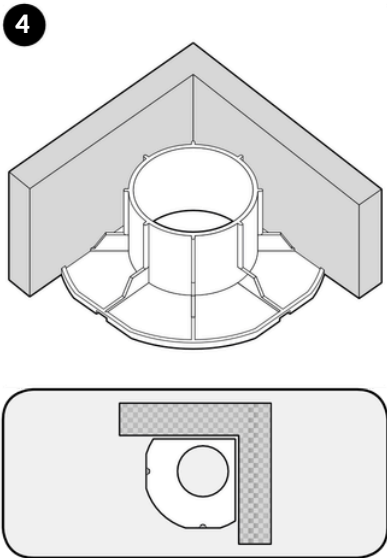
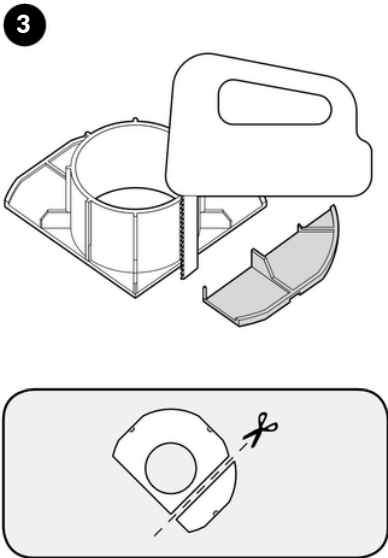
▼ Pedestals may be cut along the wall

Along parapet walls, the pedestal base may be cut to allow the pedestal to sit closer to the wall. Using a saw, cut along the perforated line on the bottom side of the pedestal. Please note that the sharp edge after cutting must be protected with a rubber protective pad.



▼ Cutting pedestal base in corners

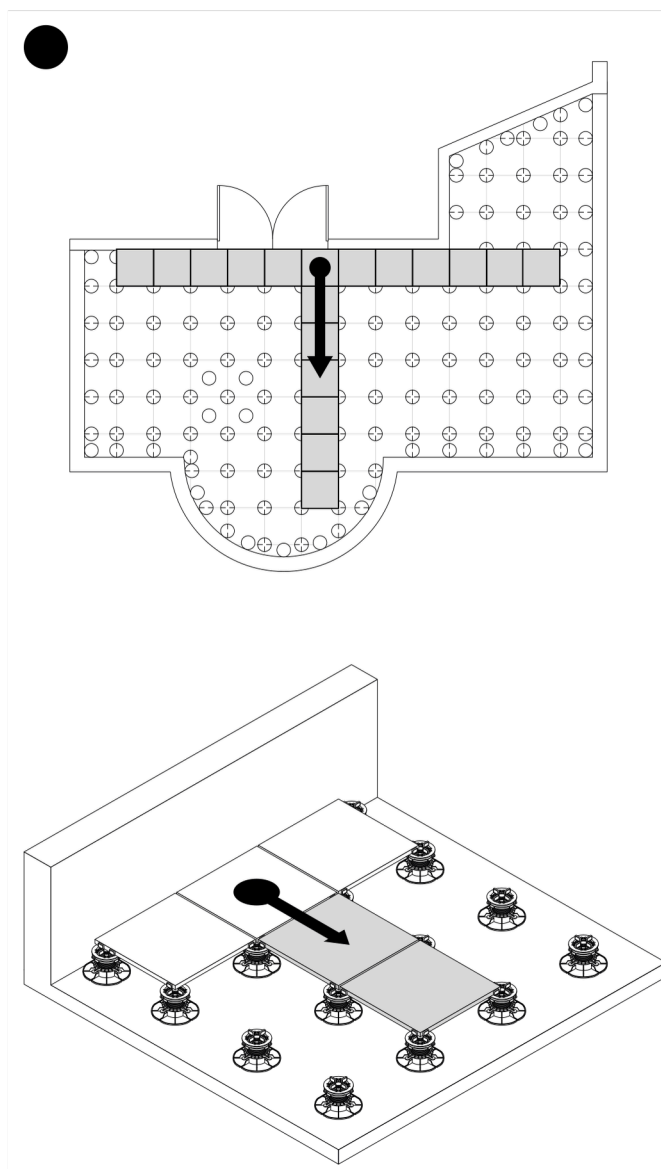
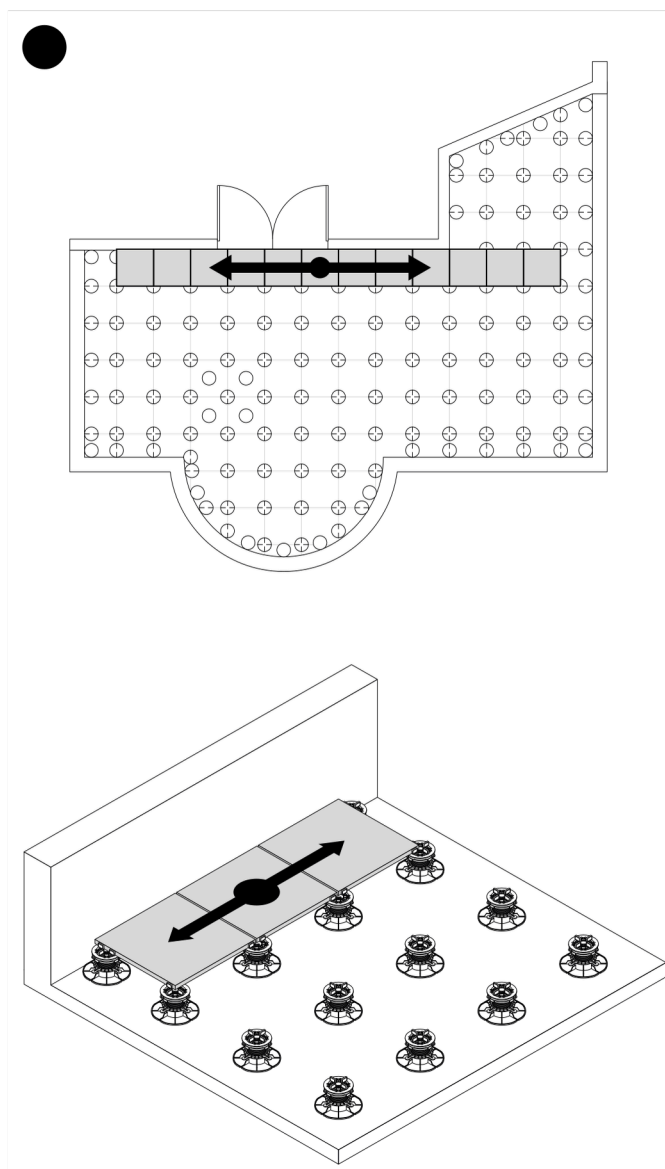
The pedestal base may be cut to fit more closely into corners. Please note that rubber protective pads must be used underneath to protect the roof from the sharp cut edges of the pedestal.



INSTALLATION - PLACEMENT OF FIRST PEDESTALS

▼ Set start point

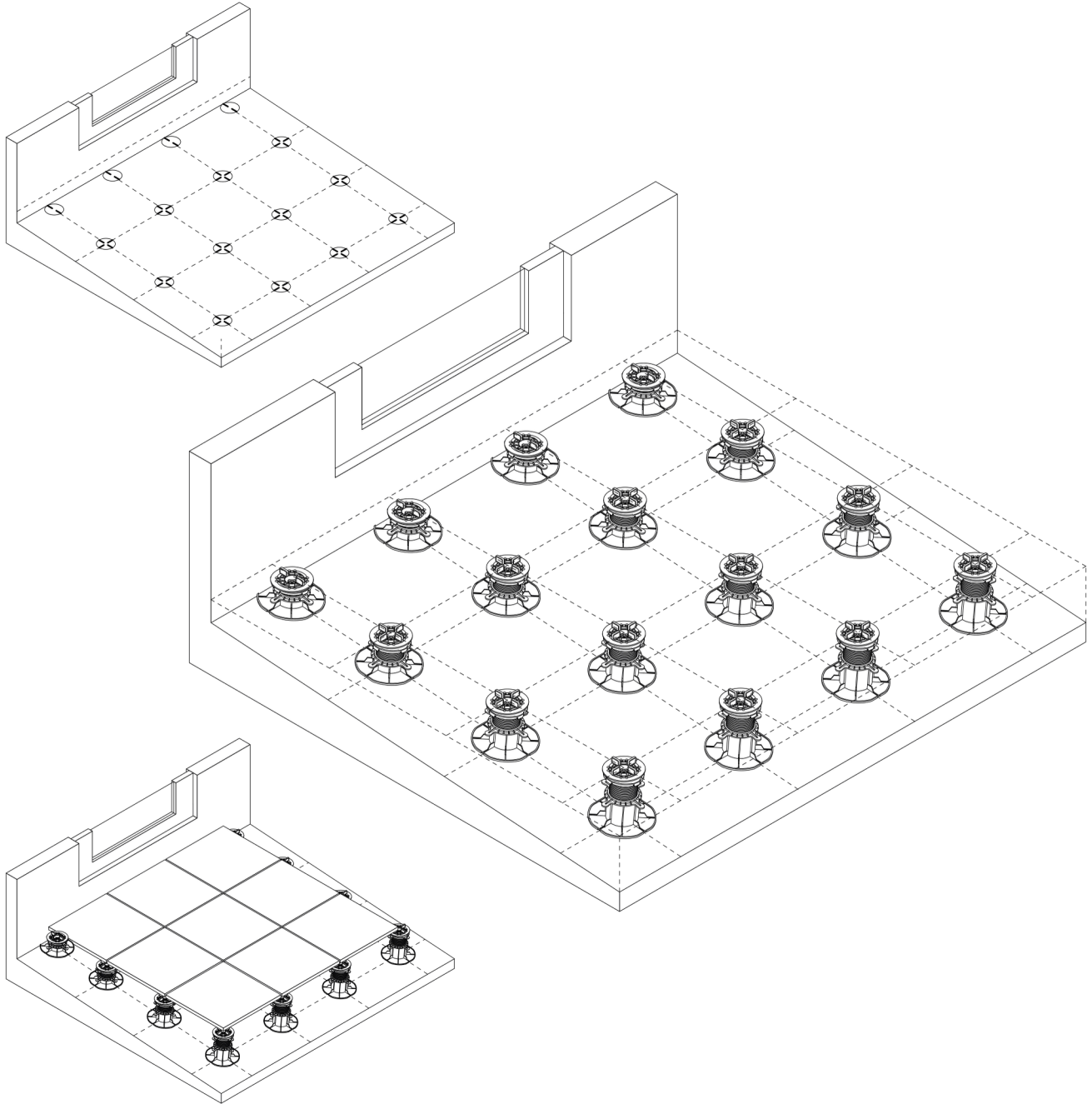
The first line of the tiles should lay along the longest wall, if possible. Begin with the first row that does not require cutting. Next, lay a perpendicular row in the longest possible line. Work from there to fill in all of the full tiles. Finish the patio by filling in all of the cut pavers.



INSTALLATION - PLACING PEDESTALS AT ENTRANCES

▼ Evaluating height of the terrace level

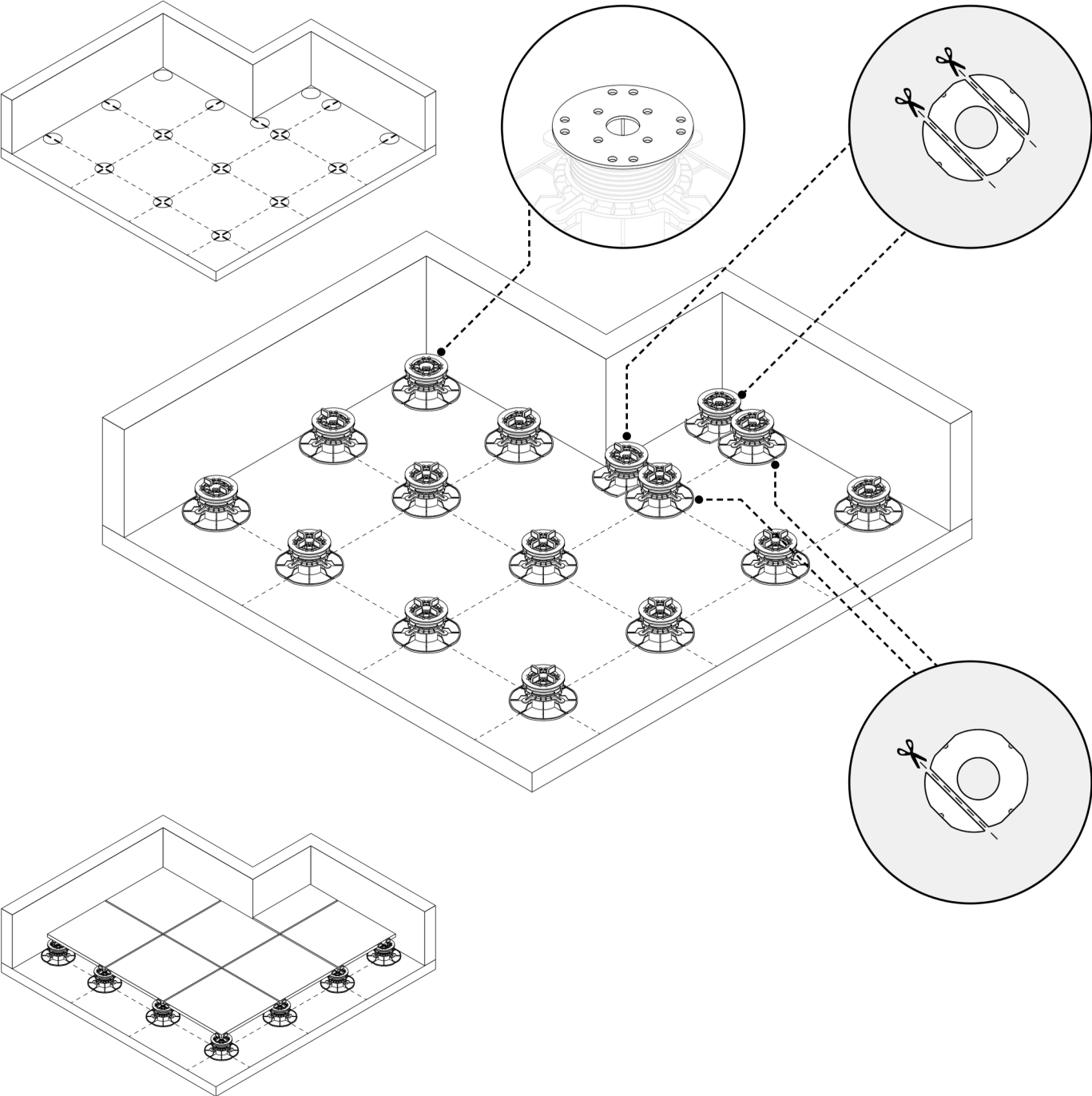
The doorways set the height for the entire terrace. Use local building codes to determine where your pavers need to line up at the entrance. The minimum entrance height needs to be $\frac{1}{16}$ " plus the thickness of your paver in order to accommodate the skydeck paver pedestal system. But, we recommend at least 4".



INSTALLATION - CORNERS

▼ Pedestal placement in corners

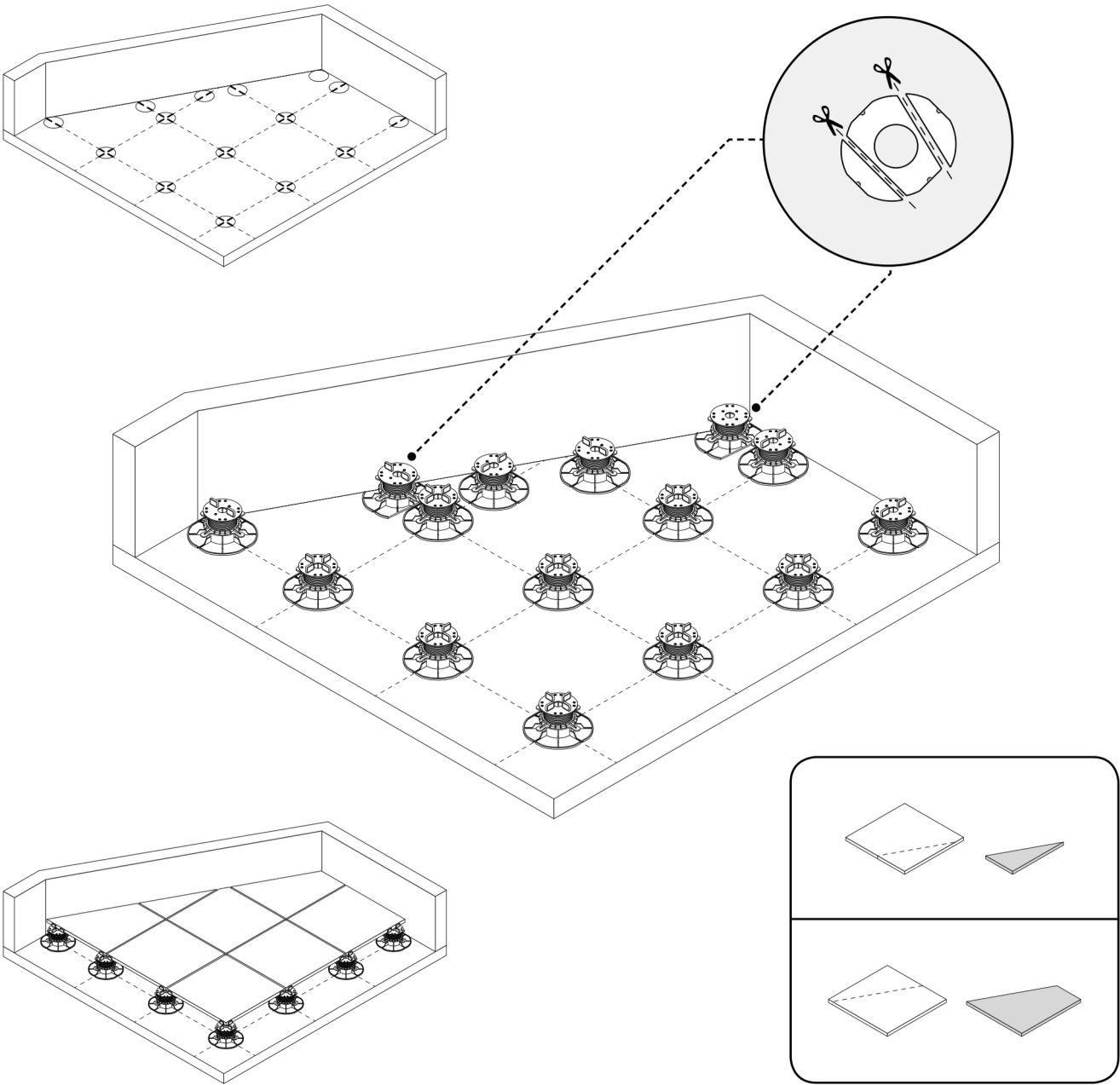
Corner pedestals that are holding full tiles can be pushed up to the corner as tight as possible. Wall clips may be used to help support the perimeter tiles and create uniform gaps along the wall. The pedestal base may also be cut along the perforated lines on the bottom of the pedestal to allow the pedestal to be pushed tighter against the wall



INSTALLATION - DIAGONAL WALLS

▼ Pedestals running along diagonal walls

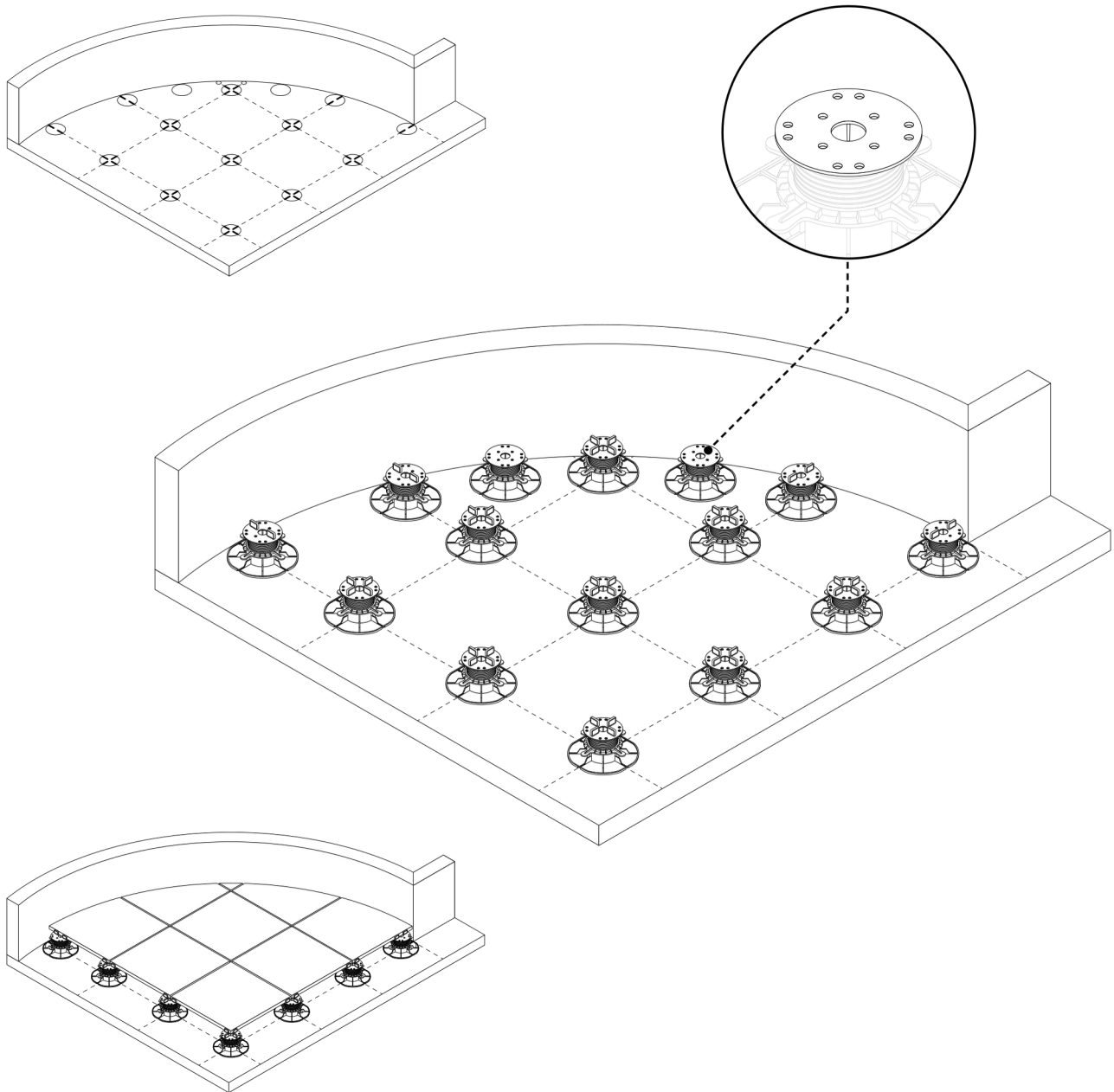
Pedestals must support each corner of the cut pavers along diagonal walls. The pedestal base may be cut along the perforated lines on the bottom of the pedestal in order to place them closer to the wall. Take measurements of odd shaped areas prior to starting the project to avoid very small slivers of pavers. Use wall clips to help support cut pavers along walls.



INSTALLATION - LAYING PEDESTALS AGAINST AN ARC WALL

▼ Cutting pedestals and tiles

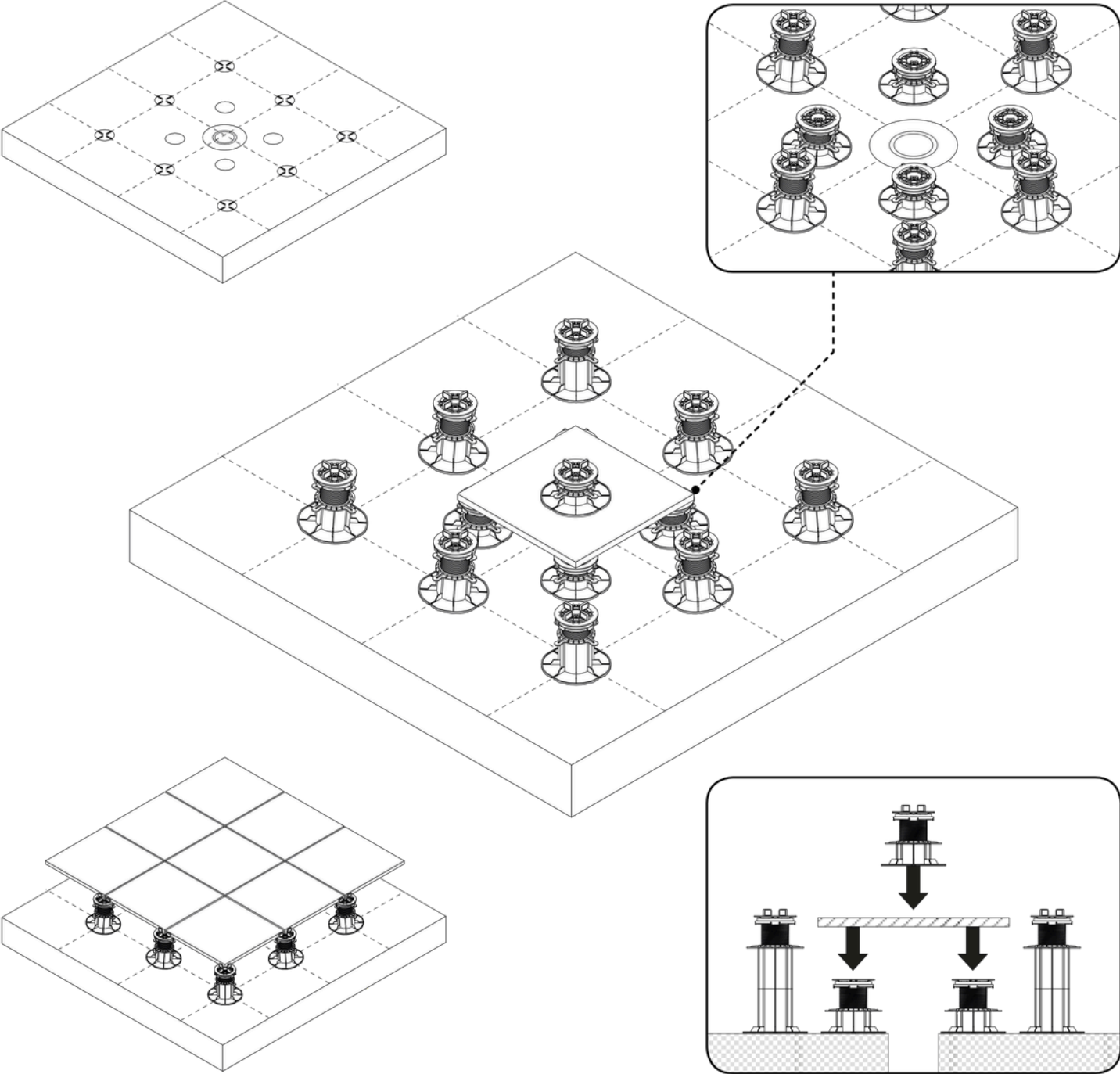
Custom pedestal layouts will be required along arc shaped walls. Place as many pedestals as required to ensure that pavers don't rock. Take measurements of odd shaped areas prior to starting the project to avoid very small slivers of pavers. Use wall clips to help support cut pavers along walls.



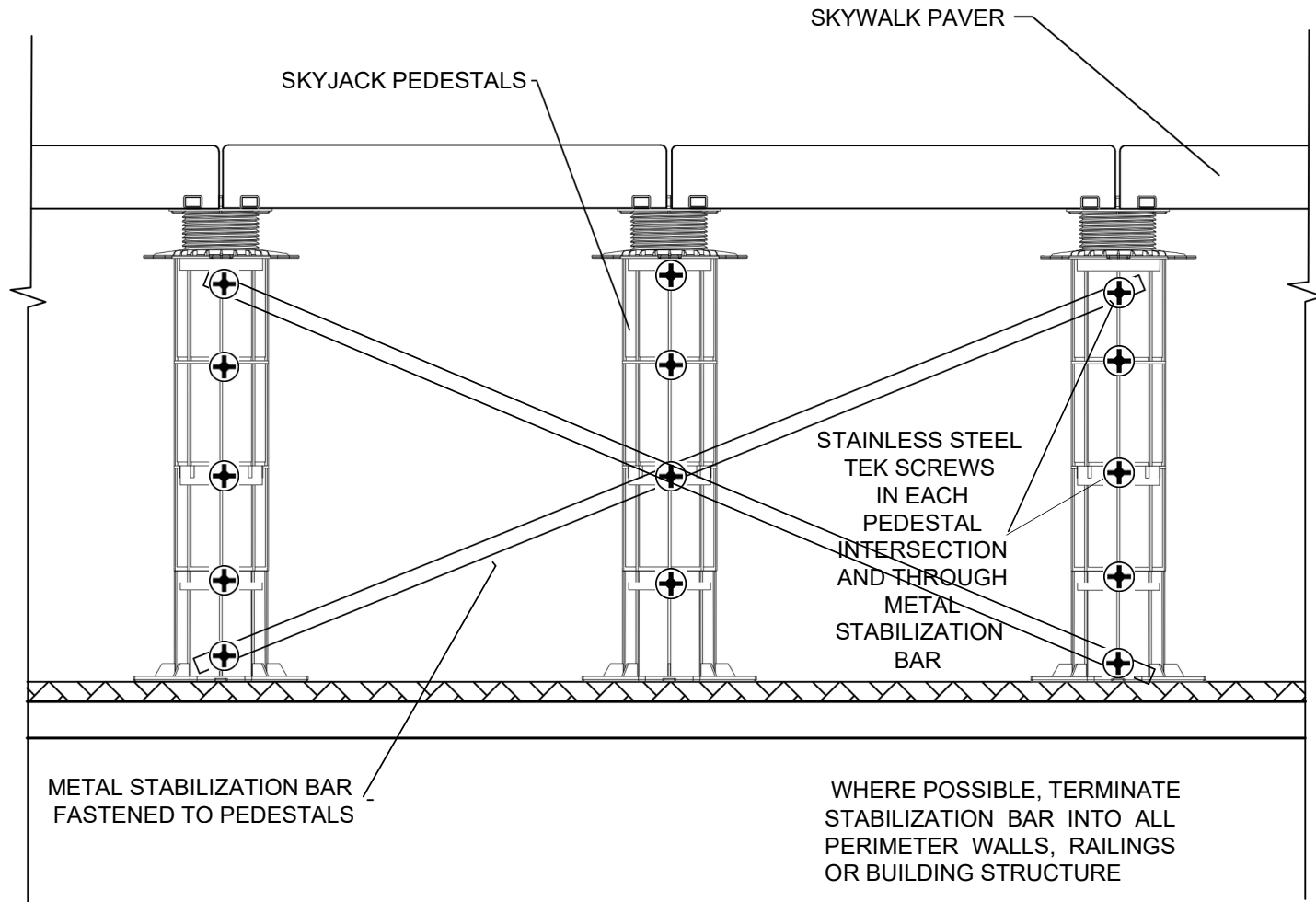
INSTALLATION - PEDESTALS OVER DRAINS

Assembly for drain location

Sometimes a pedestal will be needed right on top of a roof drain. When this happens, use four short pedestals with a paver on top to build a platform for your pedestal.



SkyHeights Pedestal Bracing System



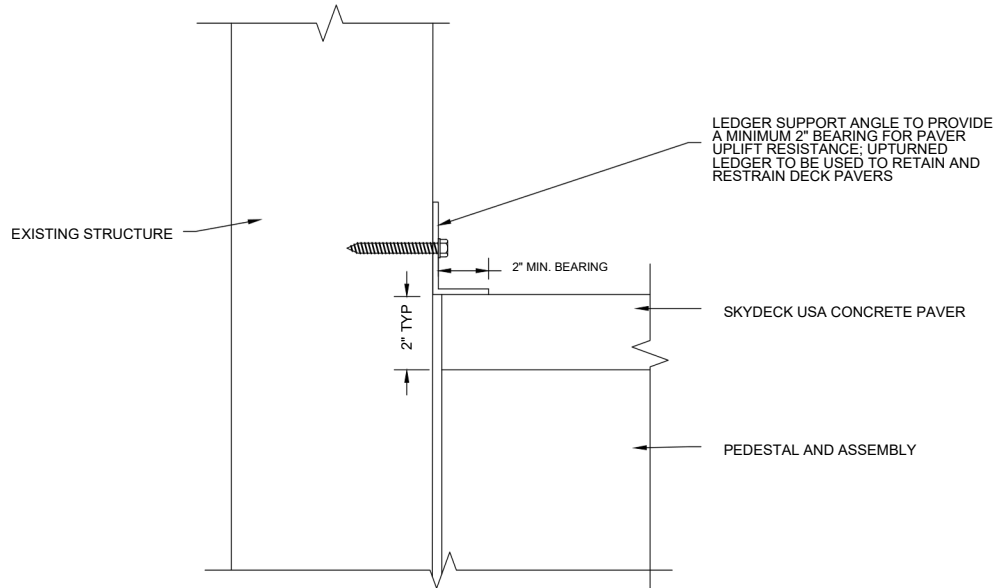
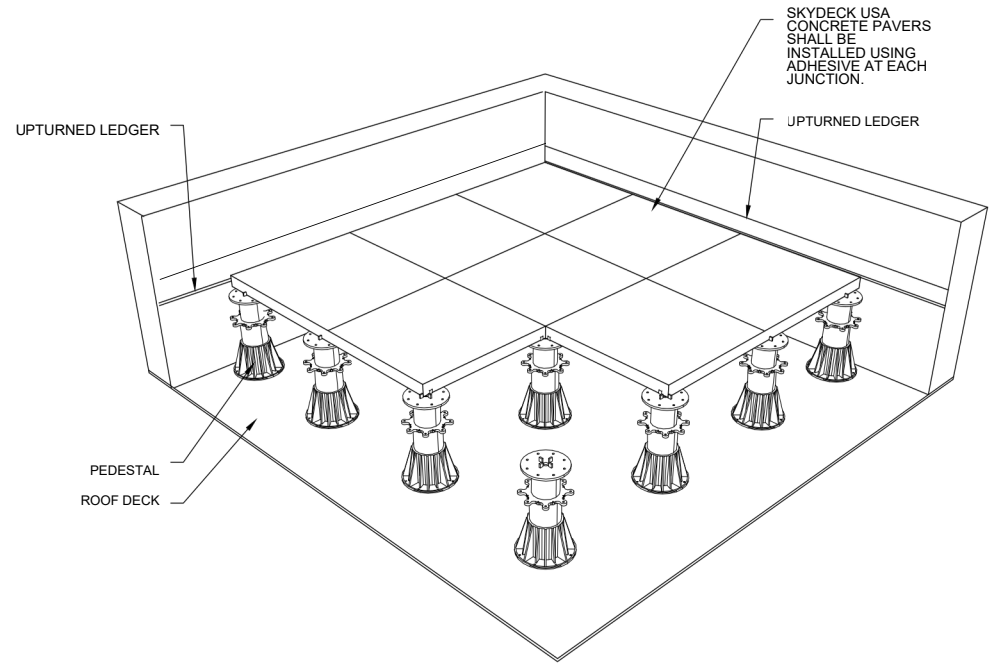
COMMENTS:

- 1.The installation must be done according with construction documents.
- 2.Unless stated drawings are without a scale.
- 3.All hardware and stabilization system must be approved and provided by skydeck usa.
- 4.Sky Heights Pedestal Stabilization System required for pedestal heights above 21.75".
- 5.All sides of pedestal paver system must be enclosed by structural wall in order to install pedestals at taller heights.
- 6.More information and advice, send questions to INFO@skydeckusa.com

skydeck
— USA —



Concrete Paver Uprturned Ledger for Wind Uplift Support



INSTALLATION DETAIL
UPTURNED LEDGER SUPPORT

LEDGER SUPPORT DETAILS UPTURNED LEDGER SUPPORT FOR SKYWALK CONCRETE PAVERS

SPECIFICATIONS

NOTES:

Adding a ledger secures perimeter pavers to help prevent wind uplift

Note: Ledger anchorage and all associated connections shall be designed and approved by a qualified design professional in accordance with applicable codes and site-specific loading requirements. The upturned ledger support detail is project-specific and has not been included in the ASTM E330 WindStrong system test. Skydeck USA assumes no responsibility for the structural performance, adequacy, or code compliance of the ledger anchorage design or installation.

DWG. NO.

DATE: 6/20/25

SHEET

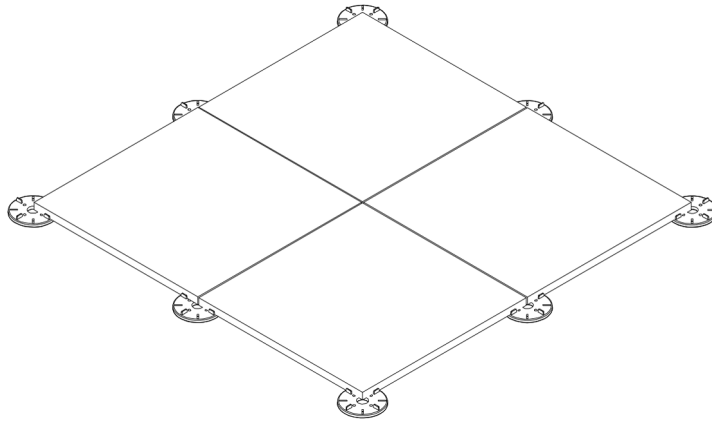
BY:





SKYWALK PAVERS

ROOFTOP PATIO SYSTEM by SKYDECK USA



ARCHITECTURAL ROOFTOP PAVERS

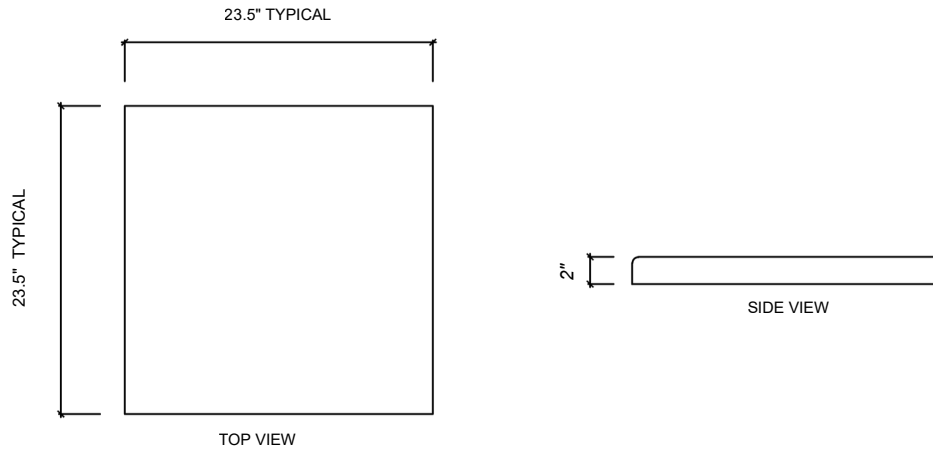
DETAIL MANUAL



TECHNICAL DATA

SKYWALK PAVERS
Elevated Patio System by SKYDECK USA
www.skydeckusa.com
info@skydeckusa.com

STANDARD SKYWALK CONCRETE PAVER SIZE

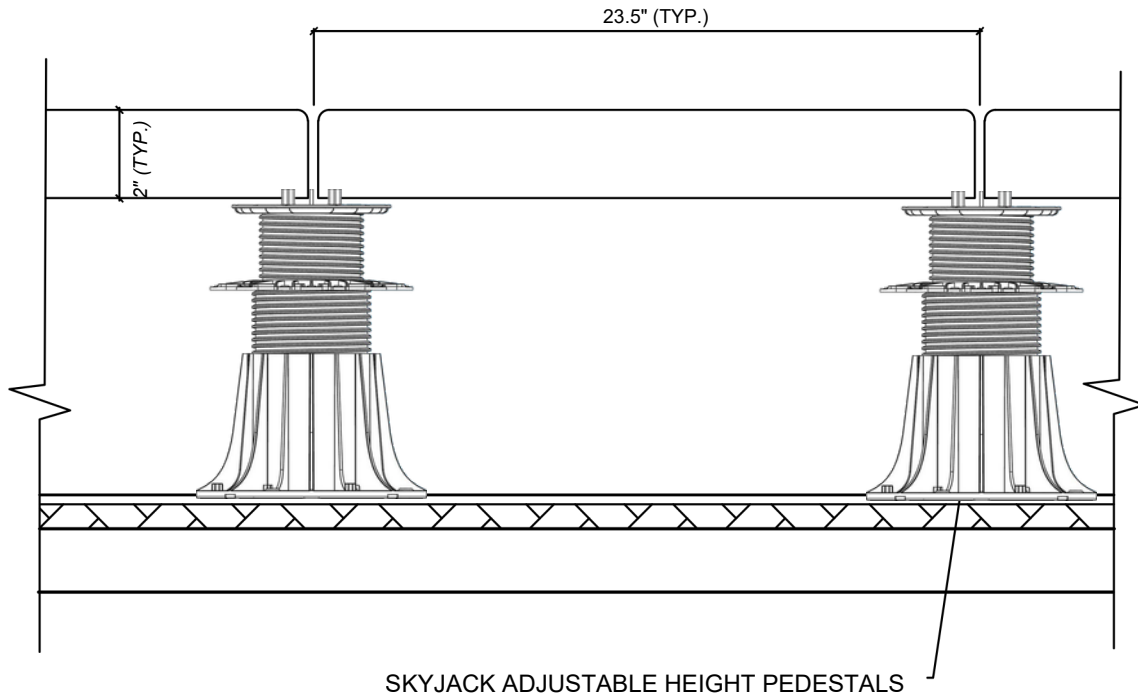


PAVER SIZES (CUSTOM SIZES AVAILABLE UPON REQUEST)	11-3/4" x 11-3/4" 11-3/4" x 23-1/2" 11-3/4" x 36 11- 7/8" x 47-7/8" 12" x 36" 14-1/2" x 14-1/2"	14-5/8" x 29-5/8" 15-3/4" x 15-3/4" 15-3/4" x 23-5/8" 17-5/8" x 17-5/8" 17-5/8" x 23-1/2" 17-5/8" x 35-3/8"	23-1/2" x 23-1/2" 23-3/4" x 23-3/4" 23-7/8" x 23-7/8" 24" x 24" 23-1/2" x 29-1/2" 23-1/2" x 35-3/8"	23-7/8" x 35-7/8" 23-7/8" x 47-7/8" 29-1/2" x 29-1/2" 29-3/4" x 2 9-3/4" 35-1/2" x 35-1/2" 47-1/2" x 47-1/2"
PAVER THICKNESS (CERTAIN THICKNESS MAY NOT BE AVAILABLE FOR ALL SIZES)	MINIMUM = 1 1/4" MAXIMUM = 3"			
PAVER FINISHES	ARCHITECTURAL - EXPOSED WASHED AGGREGATES BRICKED FACE - STIPPLE - DIAMOND			
PAVER COLORS	SEE PAGES <u>12 & 13</u> FOR PAVER COLOR OPTIONS			
COMPRESSIVE STRENGTH	MINIMUM OF 8,500 POUNDS PER SQUARE INCH (PSI)			
FLEXURAL STRENGTH	MINIMUM OF 1,100 POUNDS PER SQUARE INCH (PSI)			
DENSITY	150 POUNDS PER CUBIC FOOT			
WATER ABSORPTION RATE	LESS THAN 4.1 PERCENT			
FREEZE / THAW	NO MORE THAN 1 PERCENT LOSS OF DRY WEIGHT (50 cycles)			



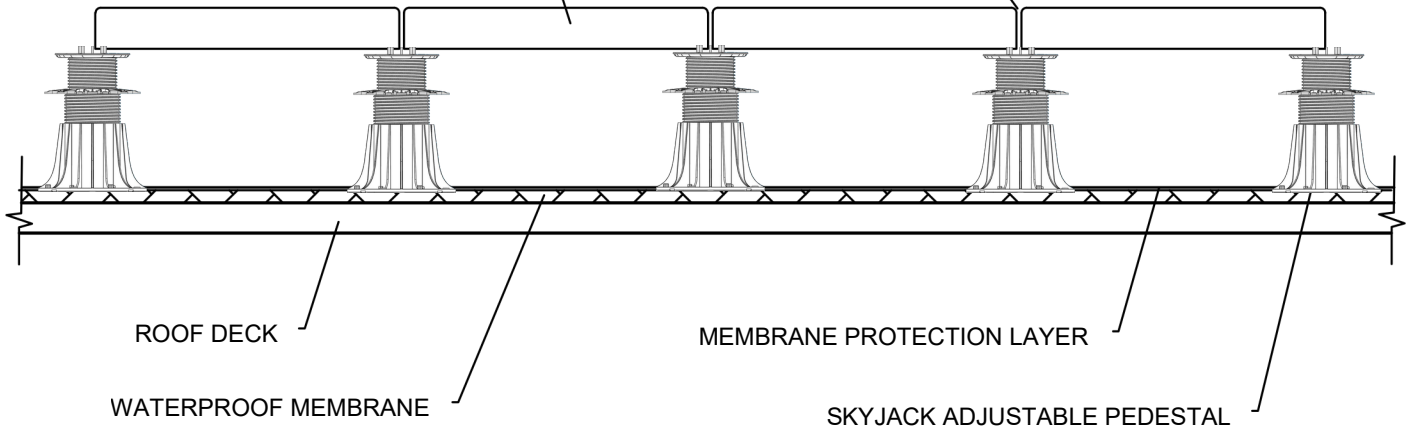
PAVER or WOOD TILE ON PEDESTALS

SKYWALK PAVERS
Elevated Patio System by SKYDECK USA
www.skydeckusa.com
INFO@skydeckusa.com



SKYWALK ARCHITECTURAL CONCRETE PAVER
23.5" SQUARE (TYP.), 2" THICKNESS (TYP.)

$\frac{3}{16}$ " SPACER GAP (TYP.)





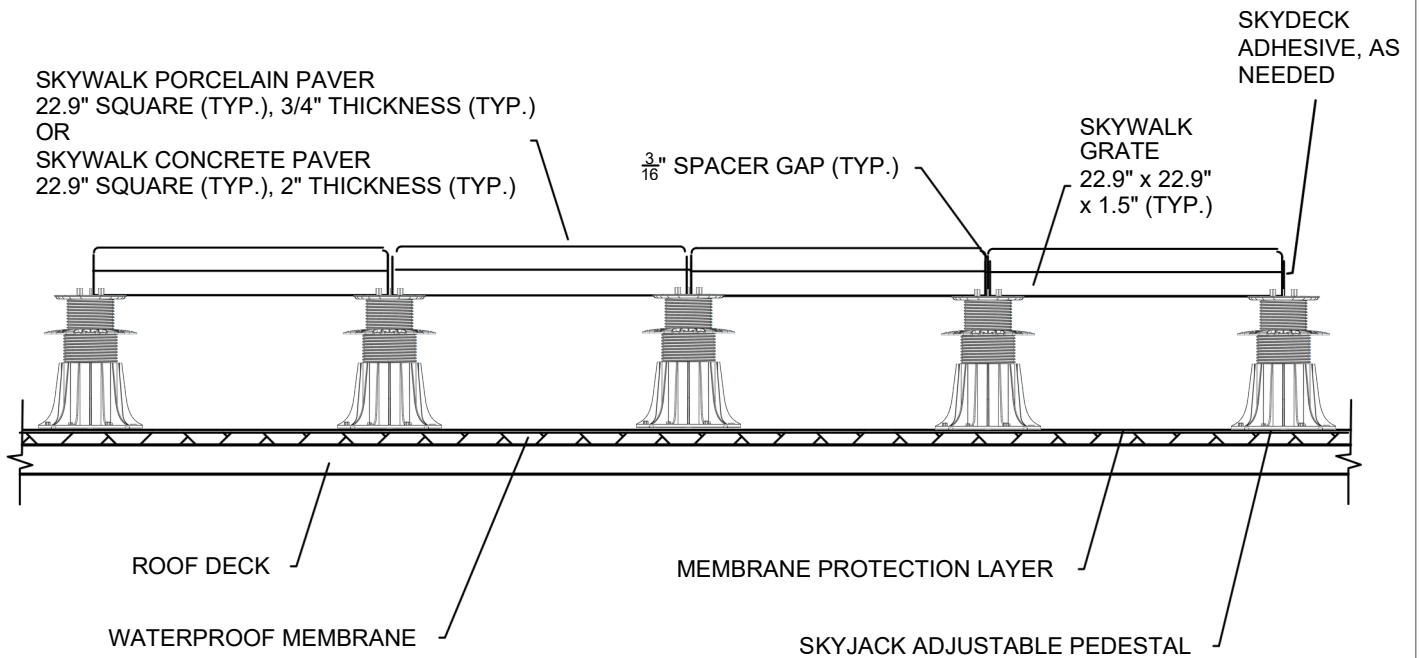
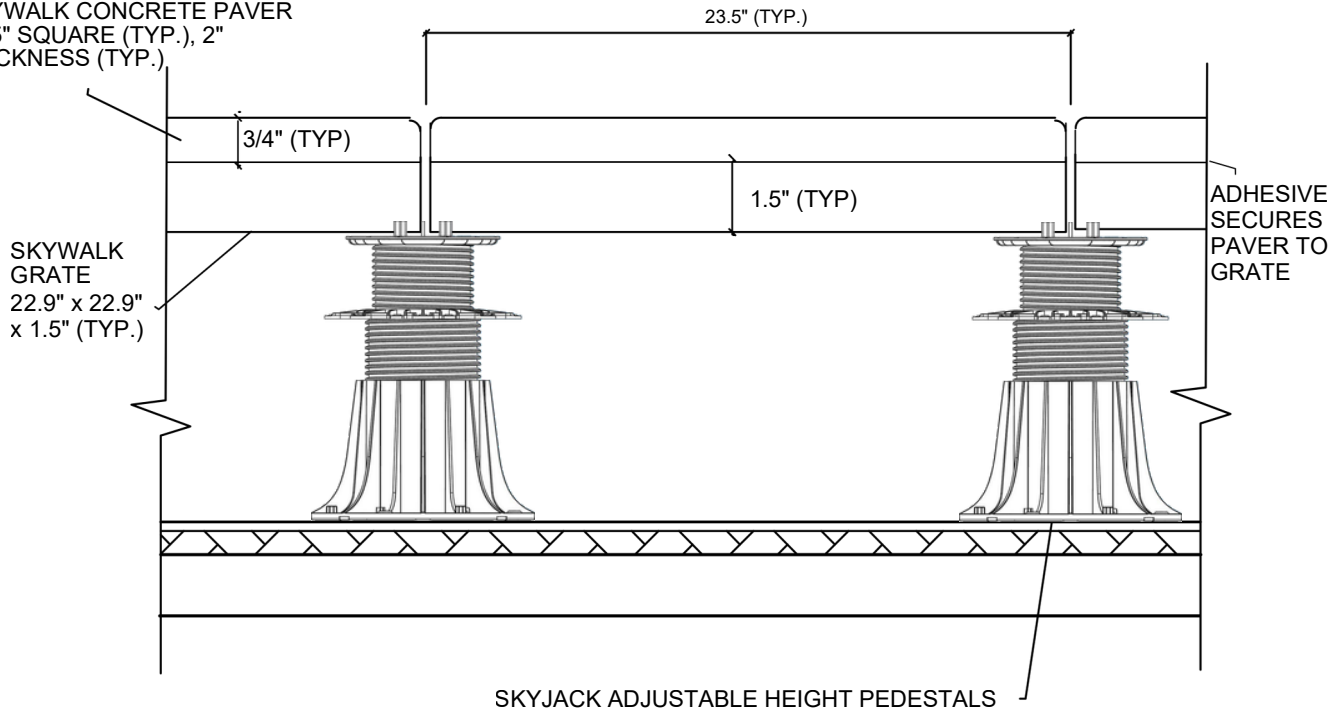
skydeck
— Usa —

PAVER on GRATE - PEDESTAL

SKYWALK PAVERS
Elevated Patio System by SKYDECK USA

www.skydeckusa.com
INFO@skydeckusa.com

SKYWALK PORCELAIN PAVER
23.5" SQUARE (TYP.), 3/4"
THICKNESS (TYP.)
OR
SKYWALK CONCRETE PAVER
23.5" SQUARE (TYP.), 2"
THICKNESS (TYP.)



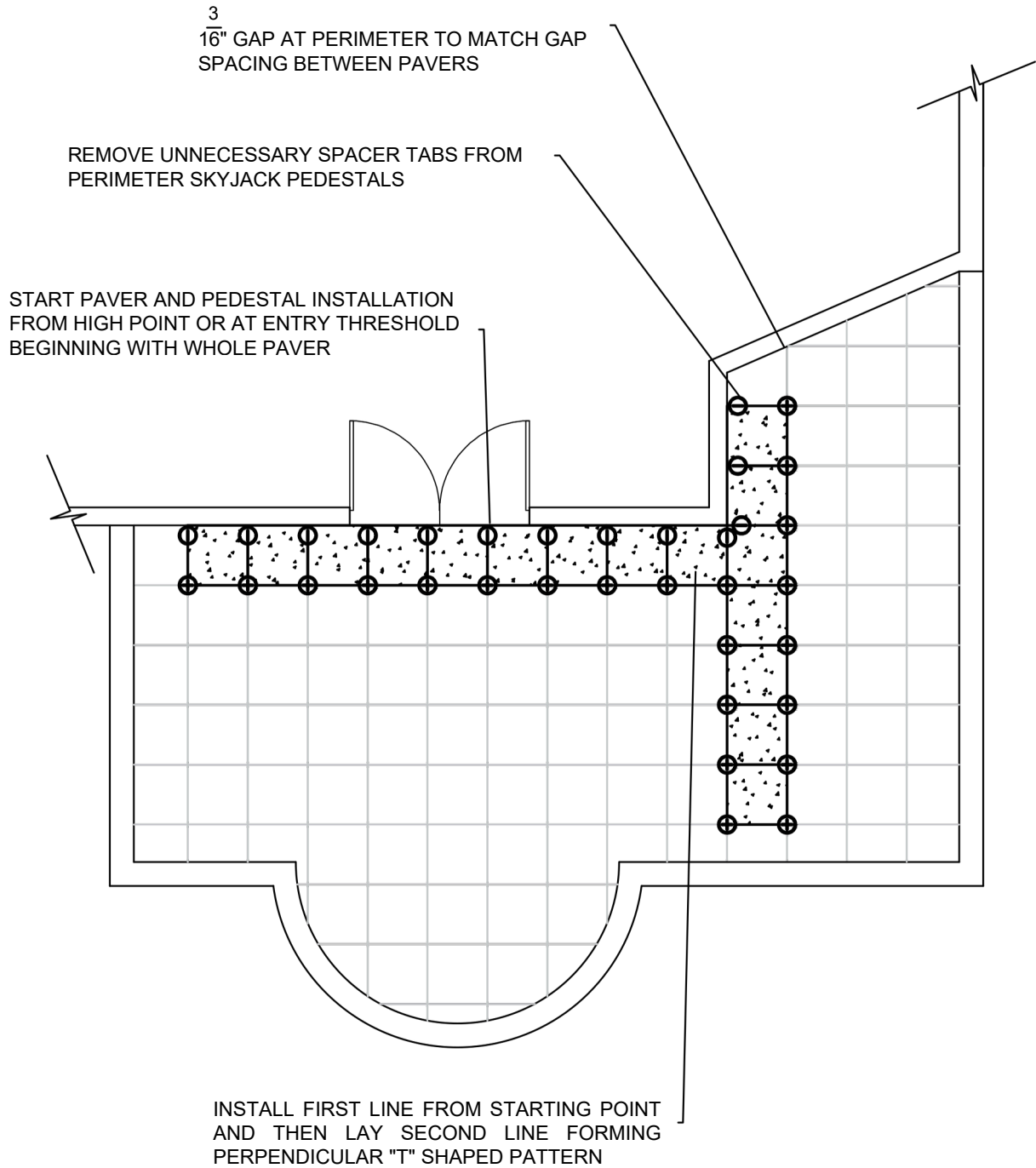


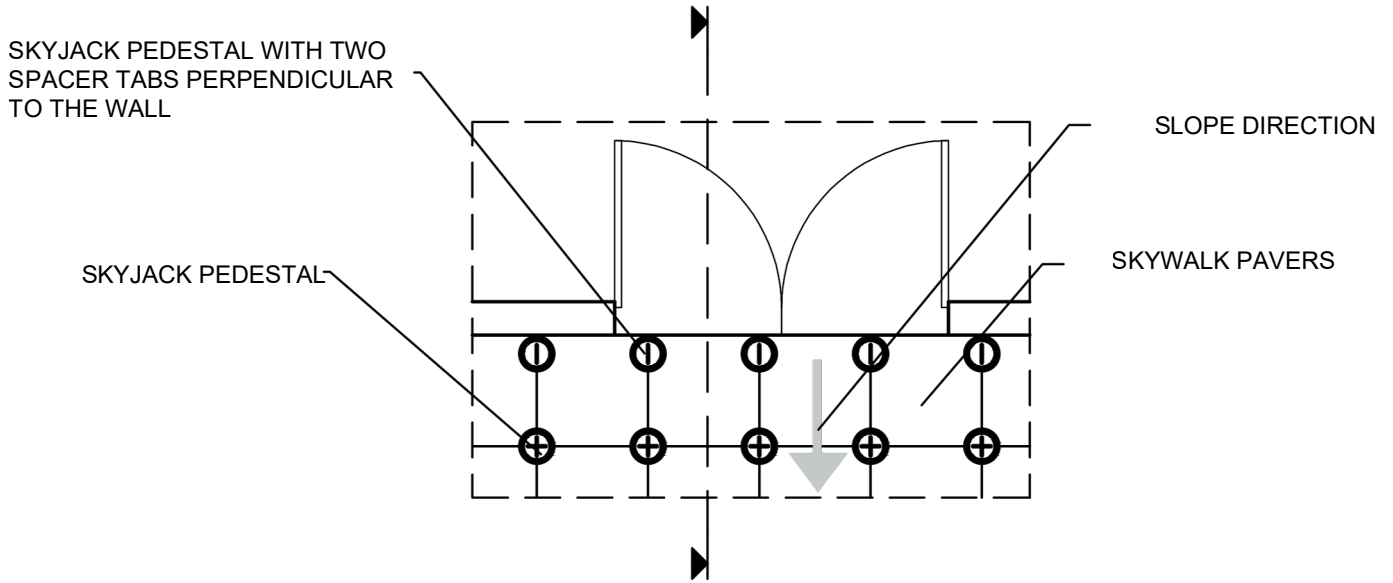
skydeck
usa

PAVER - PEDESTAL LAYOUT

SKYWALK PAVERS
Elevated Patio System by SKYDECK USA

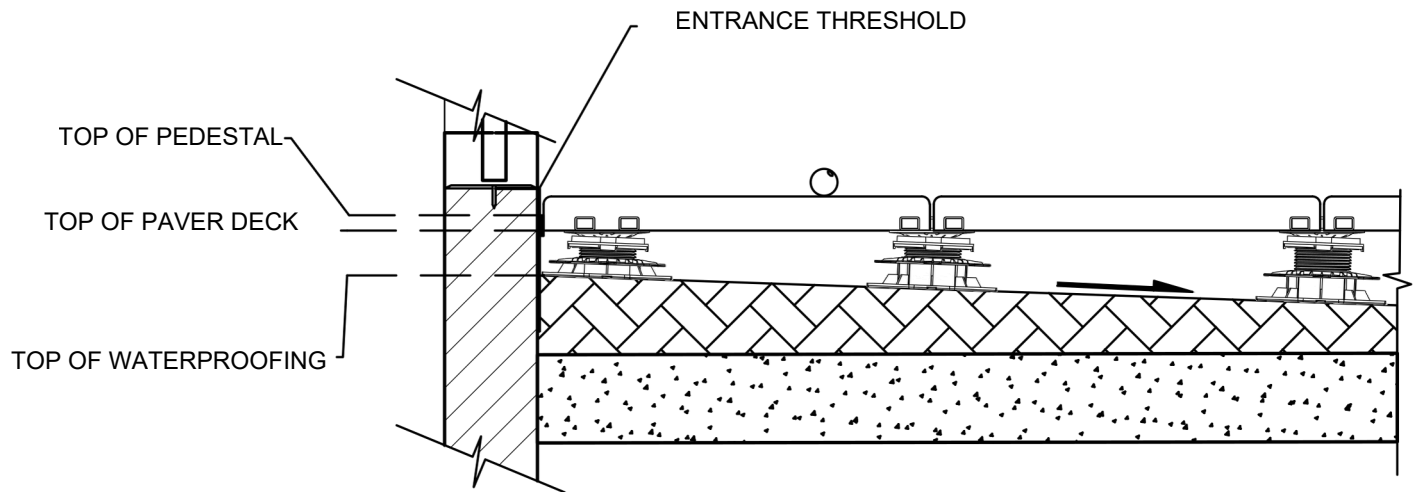
www.skydeckusa.com
info@skydeckusa.com





ENLARGED PLAN VIEW

THRESHOLD PEDESTAL / PAVER APPLICATION - SECTION DETAILS



NOTES:

1. INSTALLATION MUST BE COMPLETED IN ACCORDANCE WITH SKYDECK PRODUCT SPECIFICATIONS.
2. DRAWINGS NOT TO SCALE
3. TOP OF PAVER MUST BE BELOW ENTRANCE DOOR THRESHOLD.
4. MORE INFORMATION AVAILABLE AT www.skydeckusa.com



skydeck
— Usa —

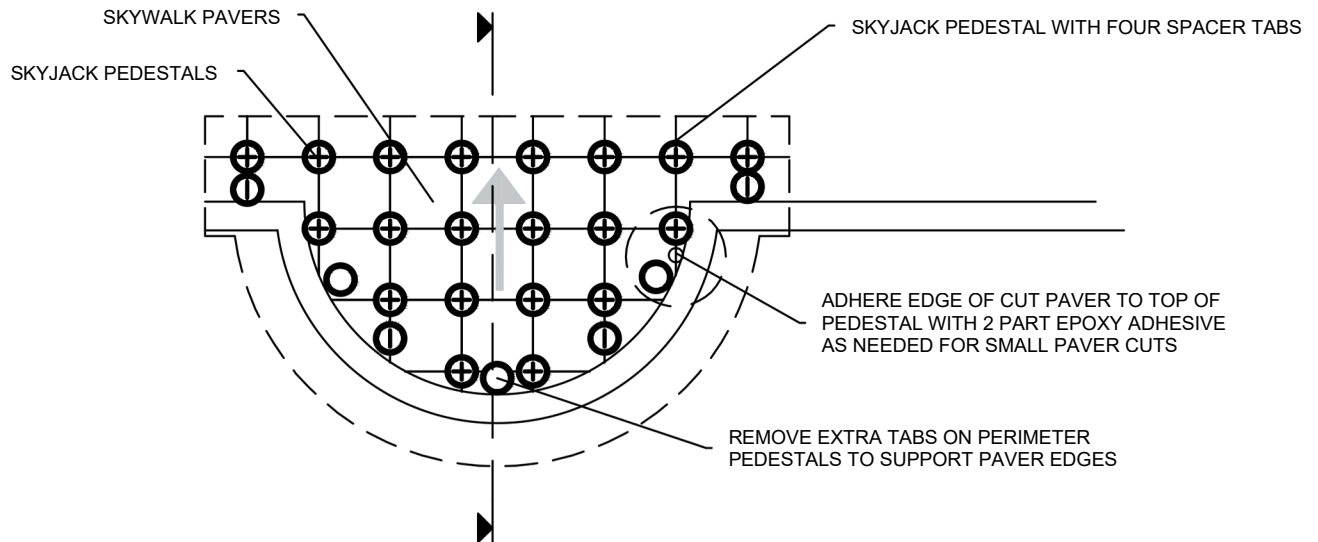
RADIUS PAVER / PEDESTAL LAYOUT

SKYWALK PAVERS

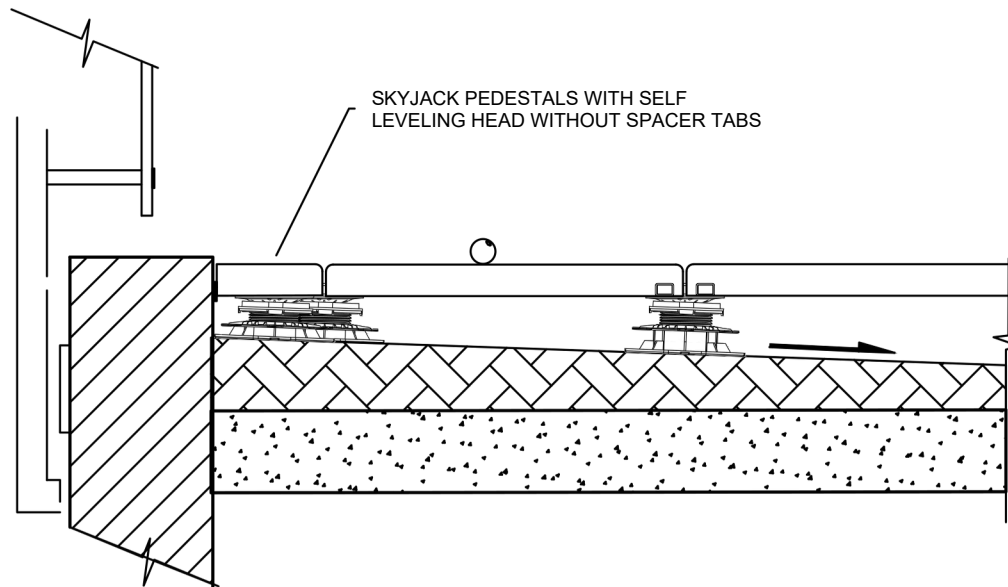
Elevated Patio System by SKYDECK USA

www.skydeckusa.com
info@skydeckusa.com

ENLARGED PLAN VIEW



RADIUS PEDESTAL / PAVER APPLICATION - SECTION DETAIL

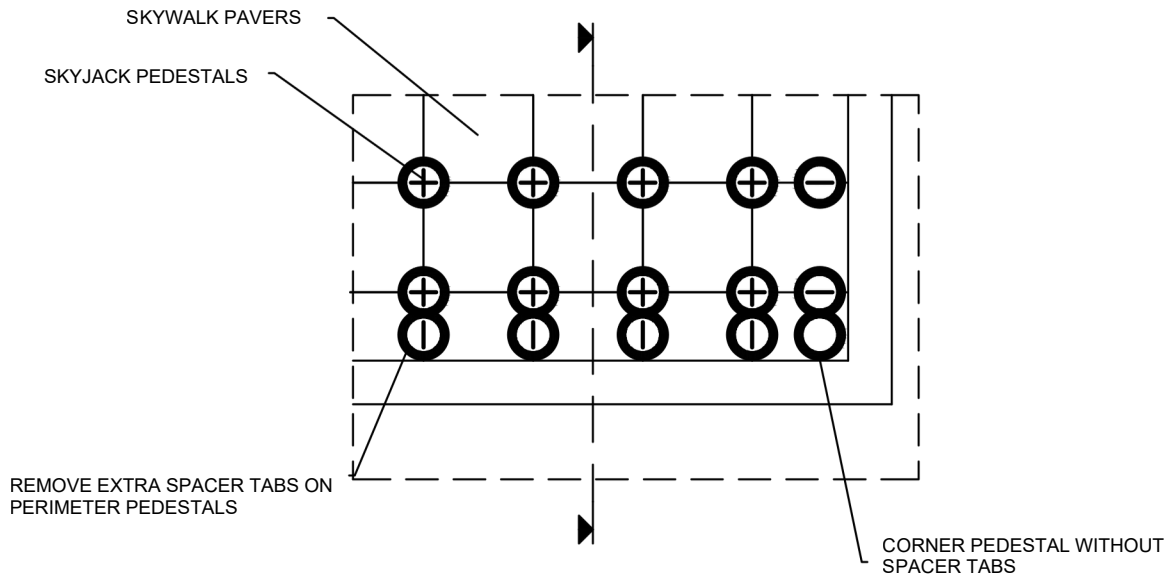


NOTES:

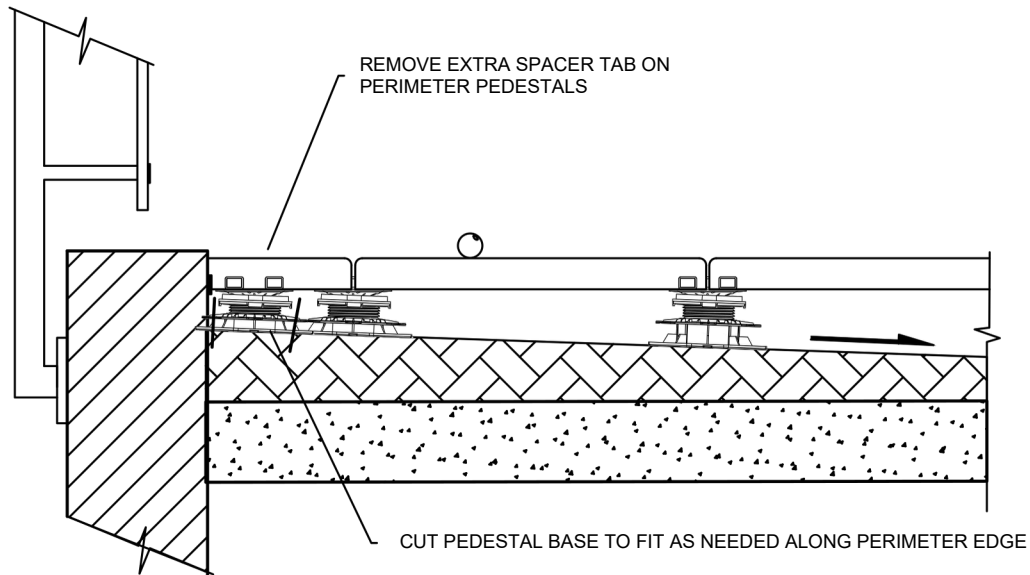
1. INSTALLATION MUST BE COMPLETED IN ACCORDANCE WITH SKYDECK PRODUCT SPECIFICATIONS.
2. DRAWINGS NOT TO SCALE.
3. USE OF SELF LEVELING HEADS RECOMMENDED ON SLOPED AREAS.
4. MORE INFORMATION AVAILABLE AT www.skydeckusa.com



ENLARGED PLAN VIEW



CORNER PEDESTAL APPLICATION



NOTES:

1. INSTALLATION MUST BE COMPLETED IN ACCORDANCE WITH SKYDECK PRODUCT SPECIFICATIONS.
2. DRAWINGS NOT TO SCALE.
3. USE OF SELF LEVELING HEADS RECOMMENDED ON SLOPED AREAS.
4. MORE INFORMATION AVAILABLE AT www.skydeckusa.com



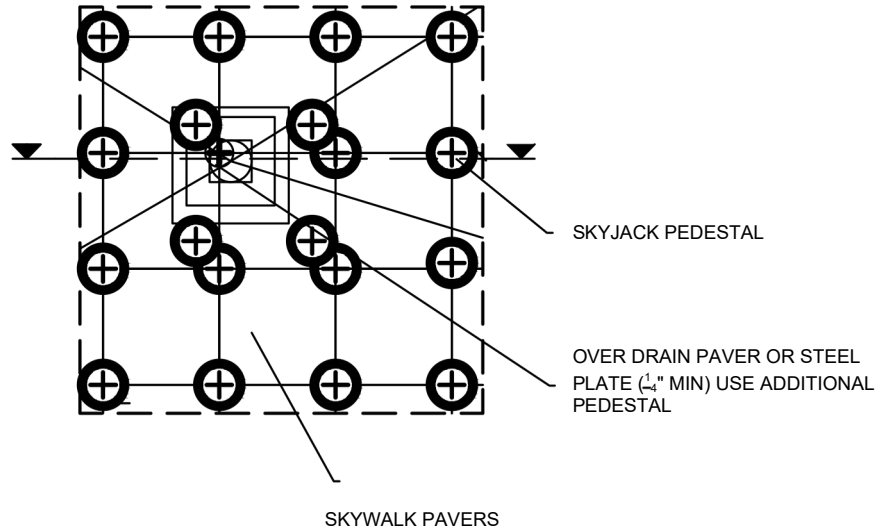
skydeck
— Usa —

ROOF DRAIN APPLICATION

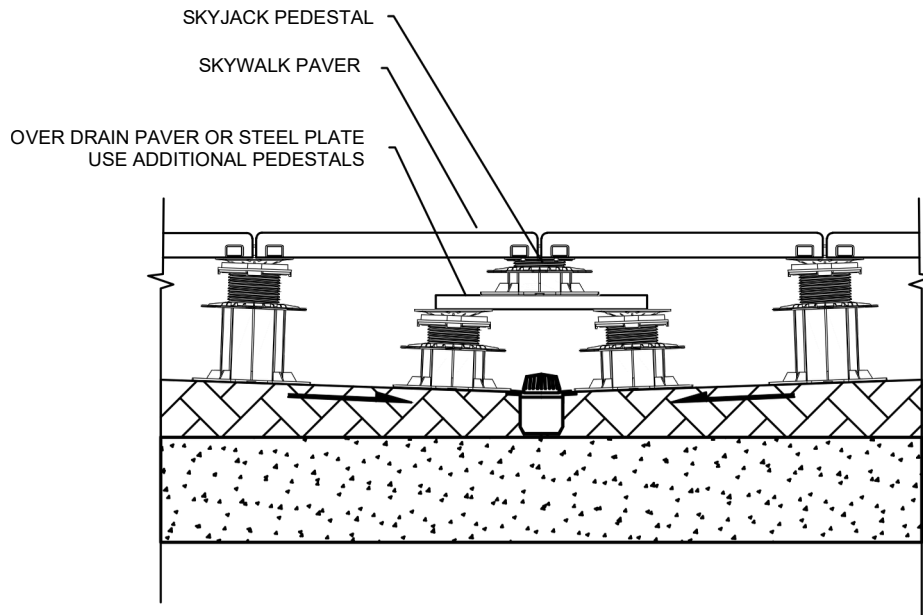
SKYWALK PAVERS
Elevated Patio System by SKYDECK USA

www.skydeckusa.com
info@skydeckusa.com

ENLARGED PLAN VIEW



ROOF DRAIN APPLICATION

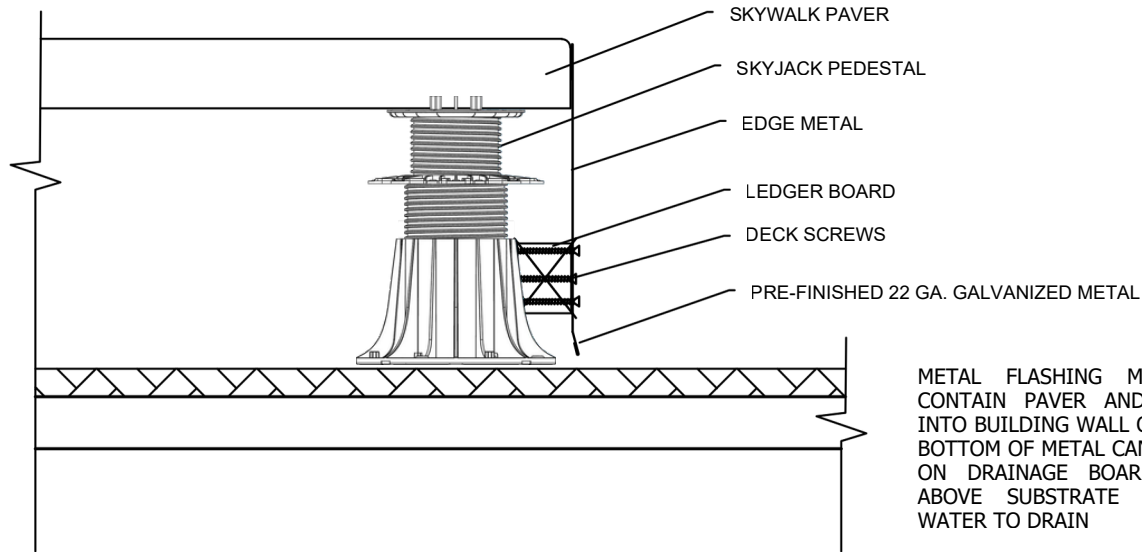


NOTES:

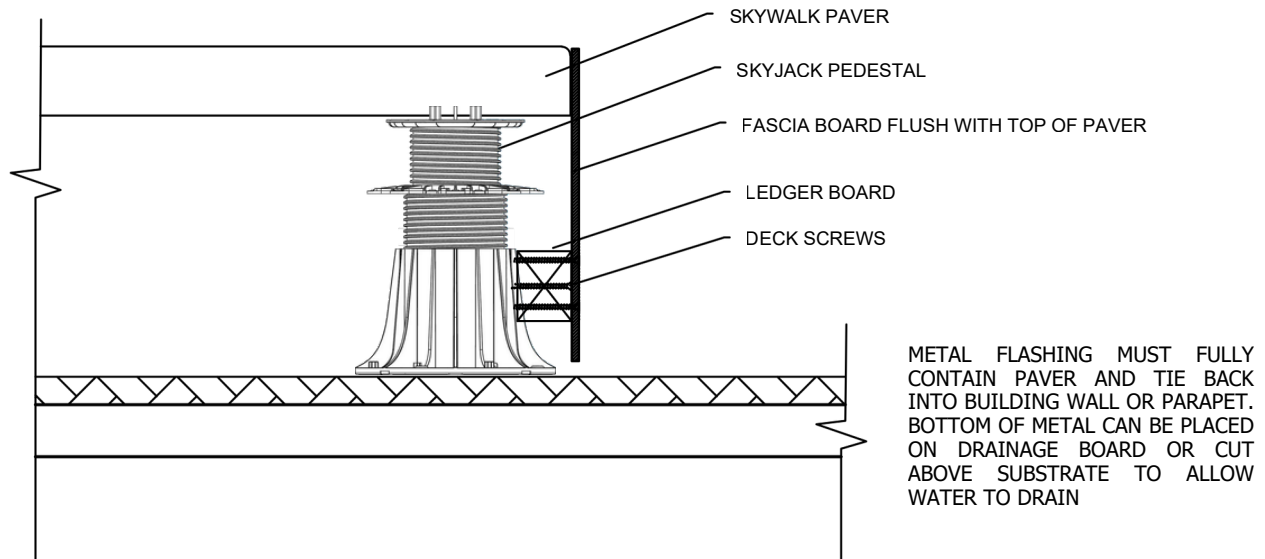
1. INSTALLATION MUST BE COMPLETED IN ACCORDANCE WITH SKYDECK PRODUCT SPECIFICATIONS.
2. DRAWINGS NOT TO SCALE.
3. USE OF SELF LEVELING HEADS RECOMMENDED ON SLOPED AREAS.
4. MORE INFORMATION AVAILABLE AT www.skydeckusa.com



METAL EDGING CONTAINMENT



WOOD FASCIA CONTAINMENT



NOTES:

1. INSTALLATION MUST BE COMPLETED IN ACCORDANCE WITH SKYDECK PRODUCT SPECIFICATIONS.
2. DRAWINGS NOT TO SCALE.
3. USE OF SELF LEVELING HEADS RECOMMENDED ON SLOPED AREAS.
4. MORE INFORMATION AVAILABLE AT www.skydeckusa.com



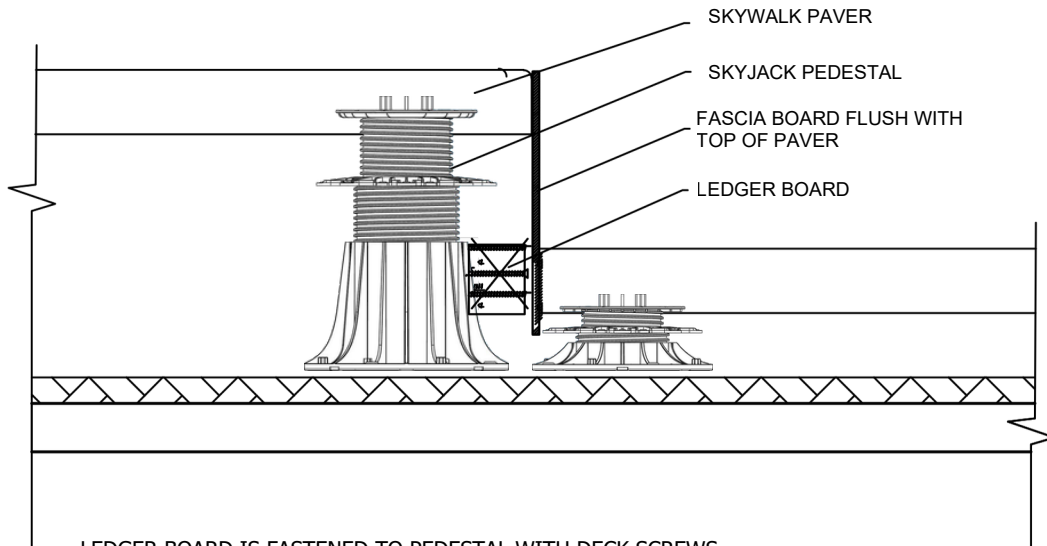
skydeck
— Usa —

PAVER CONTAINMENT DETAIL

SKYWALK PAVERS
Elevated Patio System by SKYDECK USA

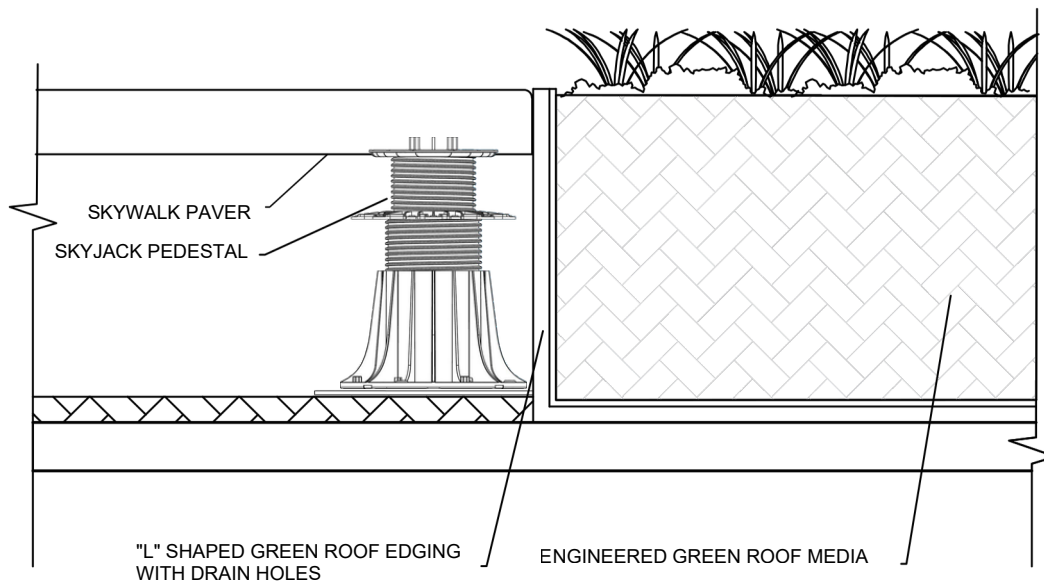
www.skydeckusa.com
info@skydeckusa.com

STEP DOWN CONTAINMENT



LEDGER BOARD IS FASTENED TO PEDESTAL WITH DECK SCREWS. THE FASCIA BOARD IS FASTENED TO THE LEDGER BOARD WITH FINISH SCREWS AND FUNCTIONS AS CONTAINMENT TO PREVENT LATERAL MOVEMENT OF PAVERS.

GREEN ROOF CONTAINMENT



NOTES:

1. INSTALLATION MUST BE COMPLETED IN ACCORDANCE WITH SKYDECK PRODUCT SPECIFICATIONS.
2. DRAWINGS NOT TO SCALE.
3. USE OF SELF LEVELING HEADS RECOMMENDED ON SLOPED AREAS.
4. MORE INFORMATION AVAILABLE AT www.skydeckusa.com



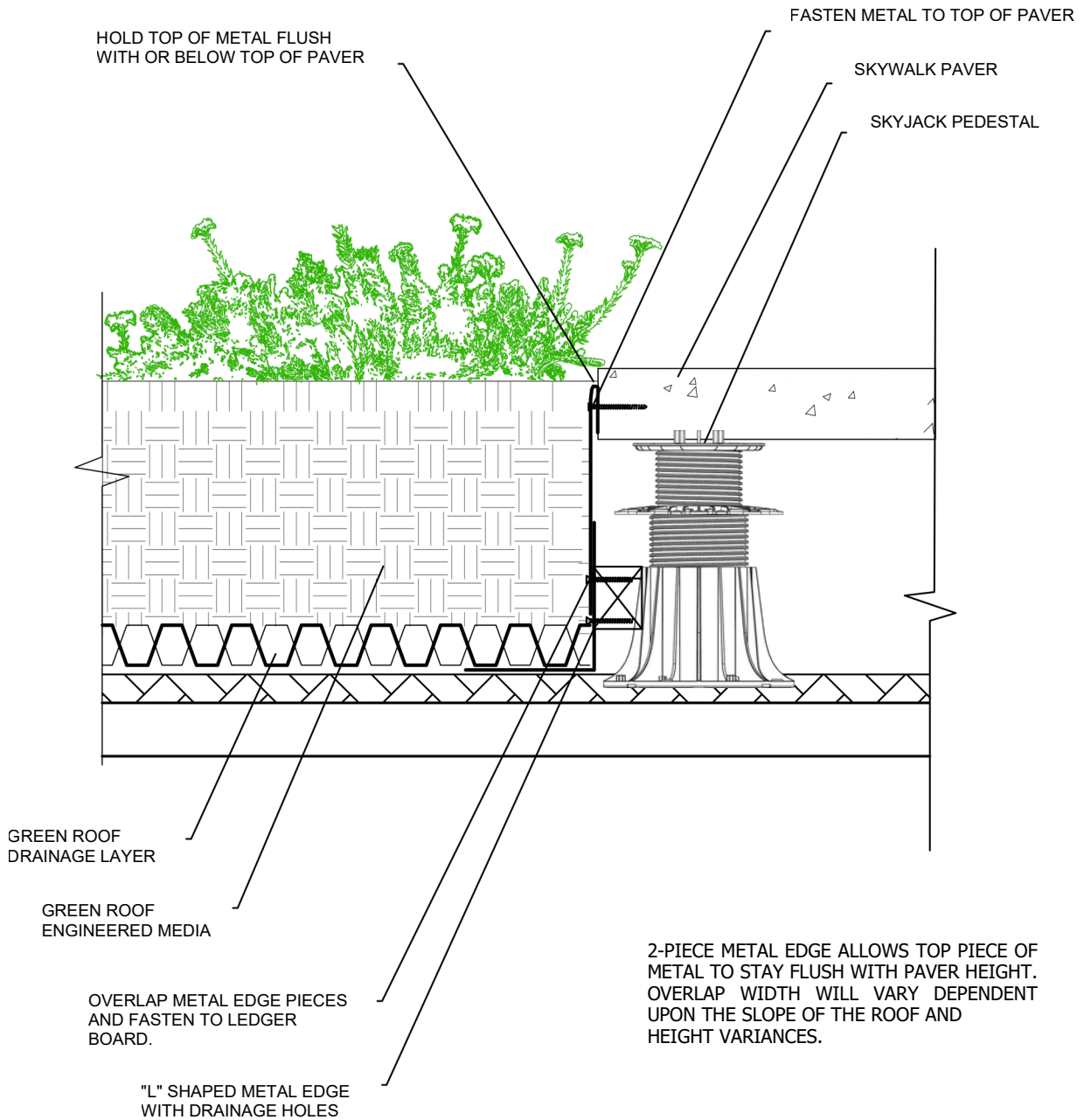
skydeck
— Usa —

PAVER CONTAINMENT DETAIL

SKYWALK PAVERS

Elevated Patio System by SKYDECK USA

www.skydeckusa.com
info@skydeckusa.com



NOTES:

1. INSTALLATION MUST BE COMPLETED IN ACCORDANCE WITH SKYDECK PRODUCT SPECIFICATIONS.
2. DRAWINGS NOT TO SCALE.
3. USE OF SELF LEVELING HEADS RECOMMENDED ON SLOPED AREAS.
4. MORE INFORMATION AVAILABLE AT www.skydeckusa.com



skydeck
— Usa —
Rooftop Patios. Simply Done.

SECTION 07 76 00
ROOF PEDESTAL CONCRETE PAVER SYSTEM

PART 1 GENERAL

1.1 SECTION INCLUDES:

- A. Adjustable pedestal supports.
- B. Rooftop concrete pavers / tiles.

1.2 RELATED SECTIONS:

- A. Section 04 22 00 - Concrete Unit Masonry.
- B. Section 04 40 00 - Stone Assemblies.
- C. Section 61 50 00 - Wood Decking.
- D. Section 07 33 63 - Vegetated Roof System.
- E. Section 07 55 00 - Membrane Roofing.
- F. Section 09 69 00 - Access Flooring.

1.3 REFERENCES

- A. American National Standards Institute (ANSI):
 - 1. ANSI A137.1 - Standard Specifications For Ceramic Tile.
- B. ASTM International (ASTM):
 - 1. ASTM C67 - Standard Test Methods for Sampling and Testing Brick and Structural Clay Tile.
 - 2. ASTM C140 - Standard Practice for Capping Concrete Masonry Units, Related Units and Masonry Prisms for Compression Testing.
 - 3. ASTM C293 - Standard Test Method for Flexural Strength of Concrete (Using Simple Beam With Center-Point Loading).
 - 4. ASTM C936 - Standard Specification for Solid Concrete Interlocking Paving Units.
 - 5. ASTM C1491 - Standard Specification for Concrete Roof Pavers.

1.4 SUBMITTALS

- A. Submit under provisions of Section 07 76 00.
- B. Product Data:
 - 1. Manufacturer's data sheets on each product to be used.

2. Preparation instructions and recommendations.
 3. Storage and handling requirements and recommendations.
 4. Typical installation methods.
- C. Verification Samples:
1. Architectural Pavers: Submit samples for type, color and texture required.
 2. Pedestals: Submit samples of each pedestal component.
- D. Shop Drawings: Include details of materials, construction, and finish. Include relationship with adjacent construction.
1. Scaled drawings to include plan of installation area, layout of all paver and pedestal areas, starting point and elevations, and construction details at critical terminations of pedestal paver system with adjacent construction.
- E. Delivery, storage and handling requirements and recommendations.
- F. Certifications: Written submittal by manufacturer indicating that installer is certified as qualified to perform work of this Section.
- G. Warranty: Submit manufacturer warranty and ensure Owner's name is registered with manufacturer.

1.5 QUALITY ASSURANCE

- A. Manufacturer Qualifications: Company specializing in manufacturing products specified in this section with a minimum of five years documented experience.
- B. Single Source Responsibility: Manufacturer shall provide the following:
1. Rooftop Pavers
 2. Pedestal Support System
- C. Installer Qualifications: Certified as pre-approved and qualified by manufacturer to install work of this section.
1. Installer assumes liability for any deviations from specifications and/or the Drawings.
- D. Preconstruction Testing: Conduct to verify following.
1. Membrane Roofing Manufacturer: Conduct inspection by certified manufacturer's technical representative to verify that the in-place membrane roofing system meets the manufacturer's specifications, is waterproof, and is approved for installation of the pedestal paver system. Verify membrane protection layer (if required) and other requirements to maintain roofing manufacturer's warranty provisions. A copy of the inspection report shall be submitted to the pedestal paver manufacturer prior to installation of the pedestal paver system.
 2. Membrane Integrity Test: The roof area or portions thereof shall be leak tested by means of electronic testing or flood testing for a period of 48 hours to check the integrity of the membrane installation. The Membrane integrity test shall be conducted by roof membrane contractor and attested in writing to pedestal paver manufacturer by the roofing contractor prior to the pedestal paver system being installed.
- E. Mock-Up: Construct a mock-up with actual materials in sufficient time for Architect's review and to not delay construction progress. Locate mock-up as acceptable to Architect and provide temporary foundations and support.
1. The intent of mock-up is to demonstrate quality of workmanship and visual appearance.
 2. If mock-up is not acceptable, rebuild mock-up until satisfactory results are achieved.
 3. Retain mock-up during construction as a standard for comparison with completed work.

4. Do not alter or remove mock-up until work is completed or removal is authorized.

1.6 PRE-INSTALLATION CONFERENCE

- A. Convene a conference approximately two weeks before scheduled commencement of the Work. Attendees shall include Architect, Contractor and trades involved. Agenda shall include schedule, responsibilities, critical path items and approvals.

1.7 DELIVERY, HANDLING, STORAGE, PROTECTION

- A. Deliver materials to project site in the original packaging with the manufacturer's labels intact and legible.
- B. Inspect all materials to ensure they are undamaged and in good condition.
- C. Store materials in a clean, dry, and protected location.
- D. Ensure waterproofing membrane is not damaged while delivering, storing, or handling material.
- E. Take measures to locate and spread loads in manner to not exceed load capacity of roof deck.
- F. Store paver and pedestal components and materials over plywood panels or protective sheeting. Do not allow products, grit, debris, and pedestrian traffic on unprotected roofing.
- G. During installation, protect the roof deck and membranes with appropriate material such as plywood sheeting. Never scrape or puncture membrane protection layer or membranes. Keep roof surfaces free of soil, grit, or debris at all times.

1.8 PROJECT CONDITIONS

- A. Maintain environmental conditions (temperature, humidity, precipitation) within limits recommended by manufacturer for optimum results. Do not install products in any unsafe condition, inclement weather or under environmental conditions outside the manufacturer's recommended limits.
- B. Deck supports specified are to be used with pedestrian traffic only. All four sides of the deck system must restrain and contain the decking panels with perimeter blocking or walls. Decking panels must not be allowed to move laterally.
- C. All membrane waterproofing and protection board surfaces to receive pedestals must be frost/ice free, and free of dirt, oil, debris, or any rough foreign matter, which may impair the waterproofing / roofing manufacturers guarantee or protection requirements.
- D. Installation or anticipated installation of additional heavy roof top feature such as, planters, benches, water features, hot tubs, industrial equipment etc. must be supported directly by additional pedestals that are in addition to the main deck paver pedestal system. Failure to adequately support the additional weight of any such features or items may cause significant damage to the deck, underlying structure, or waterproofing.
- E. All decks shall be designed to not exceed the design capacity of the pedestal.
- F. The substrate immediately below the pedestal supports shall provide positive and adequate drainage in accordance with good building practice and applicable building codes.
- G. Do not install Sky Deck Pedestal Paver System over any insulation less than 60psi or with low-density polystyrene (bead board insulation).

1.9 WARRANTY

- A. Manufacturer's Warranty: Paver and pedestal system manufacturer shall warrant the materials to remain free from defects for a period of three (3) years.
 - 1. SkyJack Concrete Pavers: Limited 3 year warranty.
 - 2. SkyJack Pedestal System: Limited 3 year warranty.
- B. Contractor's Warranty: The contractor shall warrant the work to remain free from defects of labor and materials used in conjunction with their work in accordance with the general conditions for this project for a maximum period of two (2) years.

PART 2 PRODUCTS

2.1 MANUFACTURERS

A. Acceptable Manufacturer: SkyDeck USA, which is located at: 1181 58th St SW; Wyoming, MI 49509; Tel: 502-230-3325; Email: request info (info@skydeckusa.com); Web: <https://skydeckusa.com>

B. Substitutions: Not permitted.

Requests for substitutions will be considered in accordance with the provisions of Section 07 76 00.

C. MATERIALS

2.2

- A. SkyJack Adjustable Height and Slope Compensating Pedestals
 - 1. Material: Fully Recyclable High Density Copolymer Poly Propylene (HDCPP)
 - a. Resistant to UV, Aging and Decay.
 - 2. Temperature Range: -22 to 200 degrees F (29 to 93 degrees C).
 - 3. Typical Height Range: 0 to 21 inches (0 to 533 mm).
 - 4. Pedestal Bracing System: For pedestal applications over 21-3/4 inches (552 mm) in height.
 - 5. Weight Bearing Design Capacity: 2,150 lbs (975 kg) per pedestal.
 - 6. Spacer Tabs: 3/16 inch (5 mm). 1/8" available upon request (3mm).
 - 7. Slope Stabilization Head or Base Slope Corrector: Compensates for slope up to 5 percent.
 - 8. Pedestal Components:
 - a. Adjustable Pedestals:
 - 1) Model SD-XXS: A top screw and bottom screw sit on top of one another.
 - a) Height Adjustment: Twist 8 ergonomic handles to adjust height in 0.04 inch (1 mm) increments.
 - b) Adjustment Range: 3/8 to 5/8 inches (8.5 to 16 mm).
 - 2) Model SD-XS: A top screw and bottom screw that sit on top of one another.
 - a) Height Adjustment: Twist 8 ergonomic handles to adjust height in 0.04 inches (1 mm) increments.
 - b) Adjustment Range: 5/8 to 1-1/4 inches (16 to 32 mm).
 - 3) Model SD-S: A base, screw ring, screw, and spacer tabs.
 - a) Height Adjustment: Twist 4 ergonomic handles to adjust height.
 - b) Adjustment Range: 1-1/4 to 2 inches (32 to 44 mm).
 - 4) Model SD-M: A base, screw ring, screw, and spacer tabs.
 - a) Comes in one assembled piece with spacer tabs in a separate bag.
 - b) Height Adjustment: Made by twisting the ergonomic handles, using the hand tool or the drill bit tool.
 - c) Adjustment Range: 1.75 to 3 inches (44 to 75 mm).

- 5) Model SD-L: A base, screw ring, screw, and spacer tabs.
 - a) Comes in one assembled piece with spacer tabs in a separate bag.
 - b) Height Adjustment: Made by twisting the ergonomic handles, using the hand tool or the drill bit tool.
 - c) Adjustment Range: 3 to 6 inches (75 to 150 mm).
- 6) Model SD-XL: A base, screw ring, screw, and spacer tabs.
 - a) Comes in one assembled piece with spacer tabs in a separate bag.
 - b) Height Adjustment: Made by twisting the ergonomic handles, using the hand tool or the drill bit tool.
 - c) Adjustment Range: 6 to 13.75 inches (150 to 349 mm).
- b. Extender Sleeve:
 - 1) Model SD-XL-EXT. Used to increase the height range of SD-XL pedestals.
 - a) Screws into the SD-XL pedestal base.
 - b) The screw head is applied to the extender top.
 - 2) Pedestal Heights Greater than 21-3/4 inches (552 mm): Use Skydeck USA steel strapping system to stabilize pedestals.
- c. Base Slope Corrector:
 - 1) Model SD-BSC. Placed underneath the SD-M, SD-L and SD-XL pedestals to compensate for slopes up to 5 percent.
 - a) Twist to adjust the slope correction from 0 to 5 percent.
- d. Head, Self -Leveling: Used for installations where slope is present. Upper and lower pieces.
 - 1) Model SD-XL-SLH.
 - 2) The lower piece locks onto the Screw. The upper piece is put into the lower part of the head. The Head automatically adjusts to be level under applied loads.
- e. Regulation Shim: Used to eliminate uneven pavers and to compensate small differences in height of terrace pavers. Also used for sound dampening. Can be cut into halves and quarters, as necessary.
Thickness: 1/16 inches (1.6 mm).
- f. Deck Joist Adapter: for mounting and supporting deck joists.
 - 1) SD-AD.

B. SkyWalk Architectural Concrete Patio Pavers.

1. Hydraulically pressed per ASTM C936.
2. Composition: Aggregates and cement, limestone, water, sand, with no chemicals or agents per ASTM C936.
3. Unit Weight: 90 lbs (40.82 kg) per ASTM C936.
4. Physical Concrete Properties:
 - a. Compressive Strength per ASTM C140/C1491: 8,500 psi.
 - b. Minimum Flexural Strength per ASTM C140/C1491: 1,100 psi.
 - c. Density: 150 lbs per cubic foot (240 kg per cubic meter).
 - d. Water Absorption per ASTM C140: Not to exceed 4.1 percent.
 - e. Freeze Thaw: Not to exceed 1 percent loss of dry weight.
 - f. Freeze Thaw Resistance per ASTM C67: 50 cycles.
 - g. Dynamic Coefficient of Friction per ANSI A137.1; Wet: 0.80.
5. Type: Drain Paver.
6. Type: ADA-Certified.
7. Type: Brick-Faced.
8. Type: Diamond Cut.
9. Type: Aggregate.
10. Size: 11-3/4 x 11-3/4 inches (298 x 298 mm).
11. Size: 12 x 36 inches (305 x 914 mm).

12. Size: 15-3/4 x 15-3/4 inches (400 x 400 mm).
13. Size: 17-5/8 x 23-1/2 inches (448 x 597 mm)
14. Size: 18 x 18 inches (457 x 457 mm).
15. Size: 23-1/2 x 23-1/2 inches (597 x 597 mm).
16. Size: 23-1/2 x 35-3/8 inches (597 x 899 mm).
17. Size: 24 x 24 inches (610 x 610 mm).
18. Size: 35-1/2 x 35-1/2 (902 x 902 mm).
19. Size: ___ x ___ inches (___ x ___ mm).
20. Paver Thickness: 1-1/4 inches (32 mm).
21. Paver Thickness: ___ inches (___ mm).
22. Paver Thickness: 3 inches (76 mm).
23. Color: Natural Diamond Cut Gray. Solar Reflective Index: 29
24. Color: Almond. Solar Reflective Index: 42
25. Color: Ginger. Solar Reflective Index: 34
26. Color: Ginger. Solar Reflective Index: 34
27. Color: Wheat. Solar Reflective Index: 47
28. Color: Light Gray. Solar Reflective Index: 38
29. Color: Speckled Gray. Solar Reflective Index: 38
30. Color: Medium Gray. Solar Reflective Index: 24
31. Color: Monument. Solar Reflective Index: 39
32. Color: Dark Gray. Solar Reflective Index: 17
33. Color: Salmon. Solar Reflective Index: 35
34. Color: Brick Red. Solar Reflective Index: 36
35. Color: Speckled Brick. Solar Reflective Index: 34
36. Color: Gold Rush. Solar Reflective Index: 34
37. Color: Moon Rock. Solar Reflective Index: untested
38. Color: Scottsdale. Solar Reflective Index: 55
39. Color: Cloud. Solar Reflective Index: 41
40. Color: Arctic White. Solar Reflective Index: 85
41. Color: Black. Solar Reflective Index: untested
42. Color: Stoney Creek. Solar Reflective Index: untested
43. Color: Downtown Brown. Solar Reflective Index: untested

PART 3 EXECUTION

3.1 EXAMINATION

- A. Do not begin installation until substrates have been properly prepared and related work penetrating the plane of the roof is completed.
 1. Carefully inspect installed work of other trades and verify that such work is complete to the point where work of this section may properly commence.
 2. Notify the Architect in writing of the conditions detrimental to the proper and timely completion of work.
- B. Verify the Following:
 1. Substrates, membranes, and protection boards are ready for installation of pedestal and paver system.
 2. The roof deck will sustain the weight of the pedestal paver system.
 3. Deck dimensions and elevations and pedestal heights before commencing work.

3.2 PREPARATION

- A. Clean and prepare deck free of all debris in accordance with manufacturer's instructions.
- B. Install membrane protection layer under all pedestals if specified by roofing membrane manufacture.

- C. Establish accurate lines, levels, and pattern.

3.3 INSTALLATION

- A. Install in accordance with manufacturer's instructions, approved submittals, and in proper relationship with adjacent construction.
 1. Determine starting point and layout the paver and pedestal grid layout determining where full and cut pavers will be installed.
 2. Mark perpendicular guidelines on substrate surface to ensure square layout.
 3. Install initial pavers along guidelines forming a "T" pattern.
 4. Install Pavers tightly butted into pedestals. Form even joint width determined by pedestal spacer tabs.
 5. Checks shall be made constantly for correct elevation and spacing of the installed pavers using laser level, automatic leveler, or mason's line.
 6. Slight irregularities in paver thickness and/or deck heights can be compensated for by using one or more regulation shims.
 7. Any section of paver, pedestal or protection course which is not restrained by an abutting wall or parapet must be "boxed in" by some field installed restraint.

3.4 CLEANING AND PROTECTION

- A. Clean products in accordance with the manufacturers recommendations.
- B. Touch-up, repair or replace damaged products before Substantial Completion.

3.5 ROUTINE MAINTENANCE AND CARE

- A. Remove and replace pavers, which are loose, chipped, broken, stained or otherwise damaged. Make sure edge restraints stay intact and are structurally sound.
- B. Remove mortar stains and all other types of soiling from exposed paver surfaces, wash, and scrub clean.
- C. Efflorescence is a naturally occurring white residue or stain that is on the surface of new concrete. The residue will dissipate naturally with time.
- D. Provide final protection and maintain conditions in a manner acceptable to installation, which ensures paver work being without damage or deterioration at time of substantial completion.
- E. Joints and drains should be kept clean to protect from water back up.

END OF SECTION